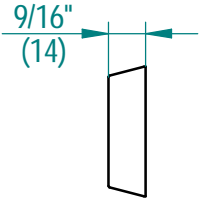
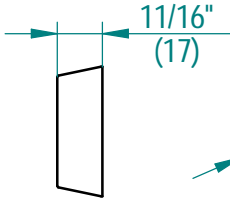


- Ⓔ Installation guide
- Ⓕ Guide d'installation
- Ⓖ Guía de instalación

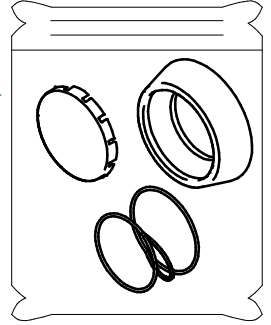
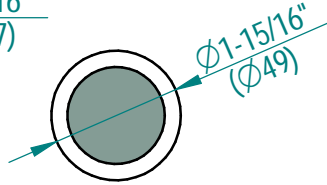
Element
Element Fusion



SP226076.01-ff



SP226076.02-ff



Ⓔ Installation Ⓕ Installation Ⓖ Instalación

i

LA1Tx7.. Mortise lock compatible with Corbin Russwin type cam.

锁体兼容
Yale - Sargent
形状的锁舌拨片。

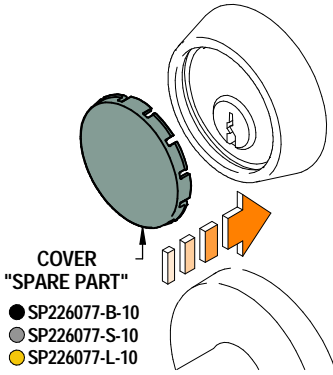
1

2

3

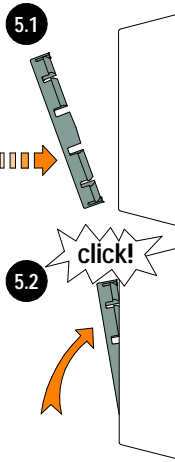
4

5



COVER
"SPARE PART"

- SP226077-B-10
- SP226077-S-10
- SP226077-L-10



5.1

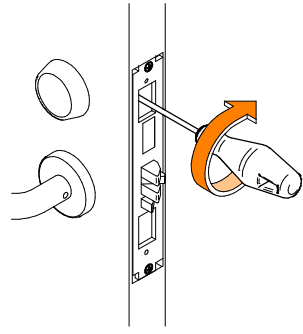
5.2

click!

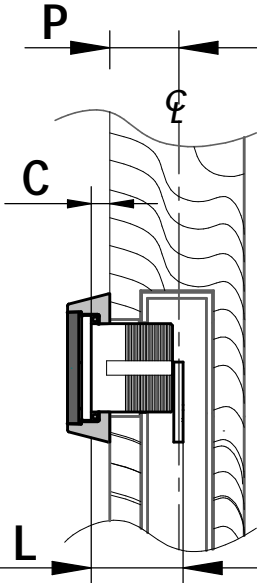


- (Eng) Once the cover is installed, it has to be broken if it needs to be removed!
- (F) Une fois que la pièce est installée, elle devra être cassée pour pouvoir la retirer.
- (E) Una vez instalada la tapa, para poder desmontarla, deberá romperla!

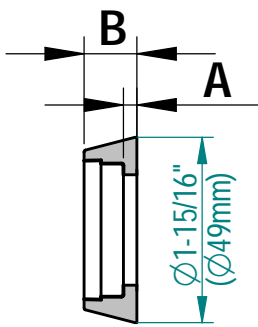
6



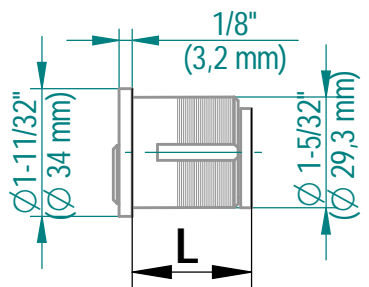
(Eng) How to select Spacer Ring / Cylinder (F) Comment sélectionner anneau spaciateur / cylindre (E) Cómo seleccionar anillo espaciador / cilindro



Ring Measures



Mortise Cylinder Measures



RING MEASURES		
REF.	A	B
SP226076.01-ff	1/8" (3,2 mm)	9/16" (14mm)
SP226076.02-ff	1/4" (6,2 mm)	11/16" (17mm)

STANDARD MORTISE CYLINDER LENGTH "L"
1" (25,4 mm)
1-1/8" (29 mm)
1-1/4" (32 mm)
1-3/8" (35 mm)
1-1/2" (38 mm)
1-3/4" (44 mm)
2" (51 mm)

C = L - P

REF.	C
SP226076.01-ff	11/64" ÷ 15/64" (4,3mm ÷ 6mm)
SP226076.02-ff	19/64" ÷ 23/64" (7,3mm ÷ 9mm)

FOR NEW CYLINDERS!

L ≥ P + C