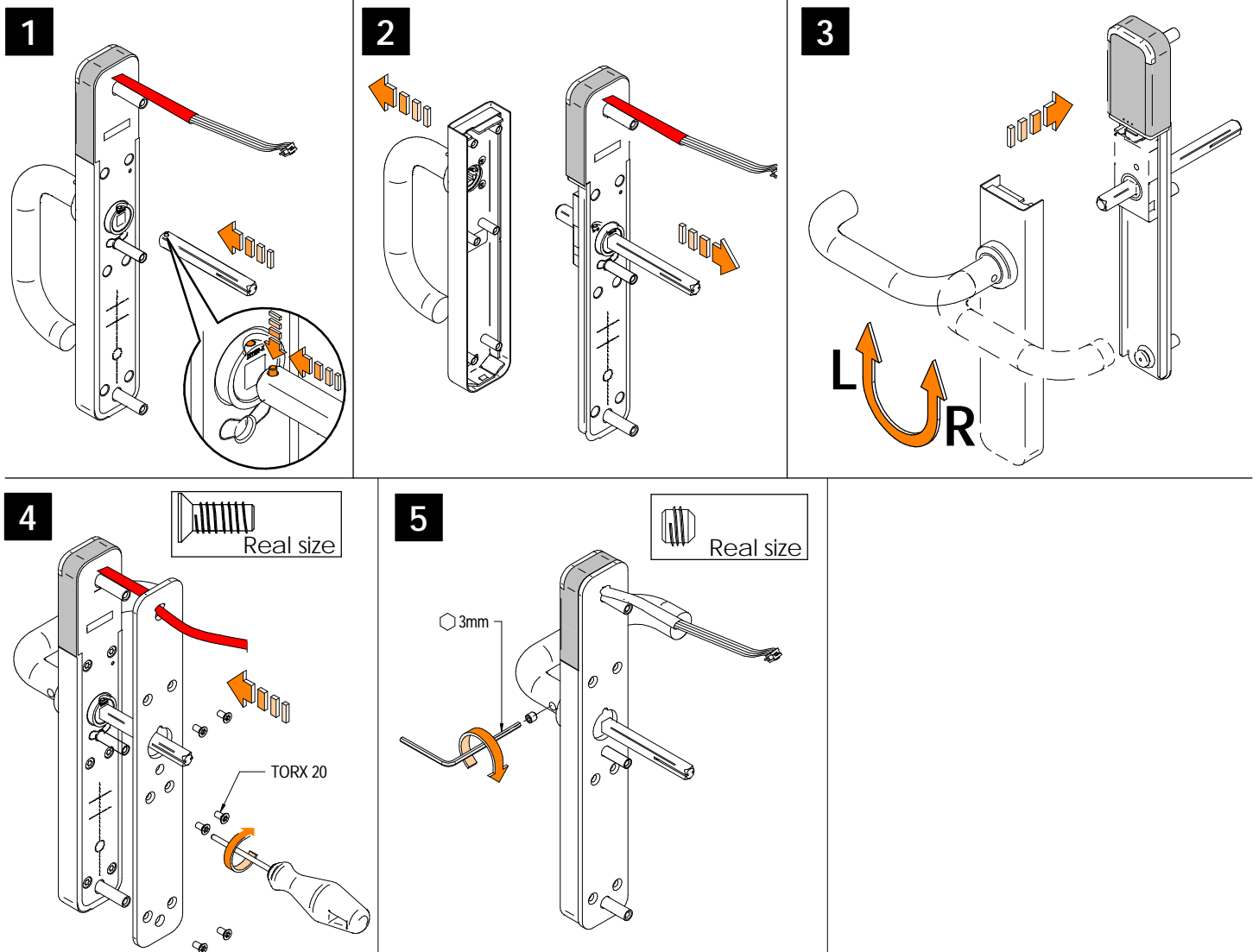


Installation guide

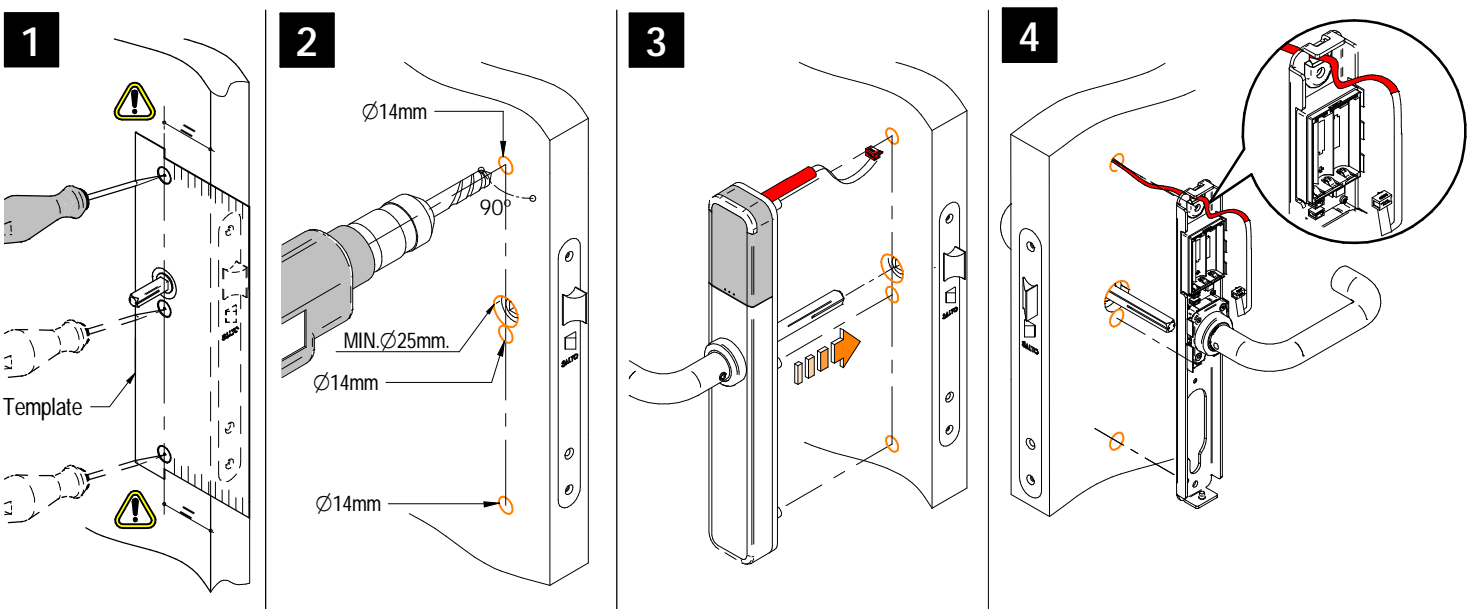
XS4 One High Security

SALTO
inspired access

Eng Select handing
 E Selección mano
 D Drückerrichtung wählen
 F Choisir le sens de la bêteille
I Scegliere il verso
 P Seleção mão



Eng Installation
 E Instalación
 D Installation
 F Installation
 I Installazione
 P Instalação



XS4 One

Installation guide

XS4 One High Security

SALTO
inspiredaccess

5

NOT OK

TORX 20

t	SCREWS BAG
32mm ÷ 47mm	S2
45mm ÷ 60mm	S4
60mm ÷ 68mm	S1
68mm ÷ 75mm	S2
75mm ÷ 83mm	S3
83mm ÷ 90mm	S4
90mm ÷ 98mm	S1
98mm ÷ 105mm	S2
105mm ÷ 113mm	S3
113mm ÷ 120mm	S4

6

LR03 AAA

Real size

7

8

a

b

9

TORX 20

Eng TO FIX CLOCKWISE

- (E) FIJACIÓN: GIRAR EN SENTIDO HORARIO
- (D) UHRZEIGERSINN Festschrauben
- (F) POUR FIXER: SENS HORAIRE
- (I) PER FISSARE: SENSO ORARIO
- (P) FIXAÇÃO: RODAR EM SENTIDO DOS PONTeiros DO RELÓGIO.

!

(Eng) **AT THIS POINT DO NOT CLOSE THE DOOR PROGRAM THE LOCK FIRST**
Follow user manual

(E) **NO CIERRE LA PUERTA. PROGRAME LA CERRADURA**
Consulte el manual del usuario

(D) **TÜR NICHT SCHLIESSEN. ZUERST SCHLOSS PROGRAMMIEREN**
Folgen Sie dem Benutzerhandbuch

(F) **NE FERMEZ PAS LA PORTE. PROGRAMMEZ LA BÉQUILLE AVANT**
Consultez le manuel utilisateur

(I) **PROGRAMARE LA SERRATURA PRIMA DI CHIUDERE LA PORTA.**
Consultare il manuale utente

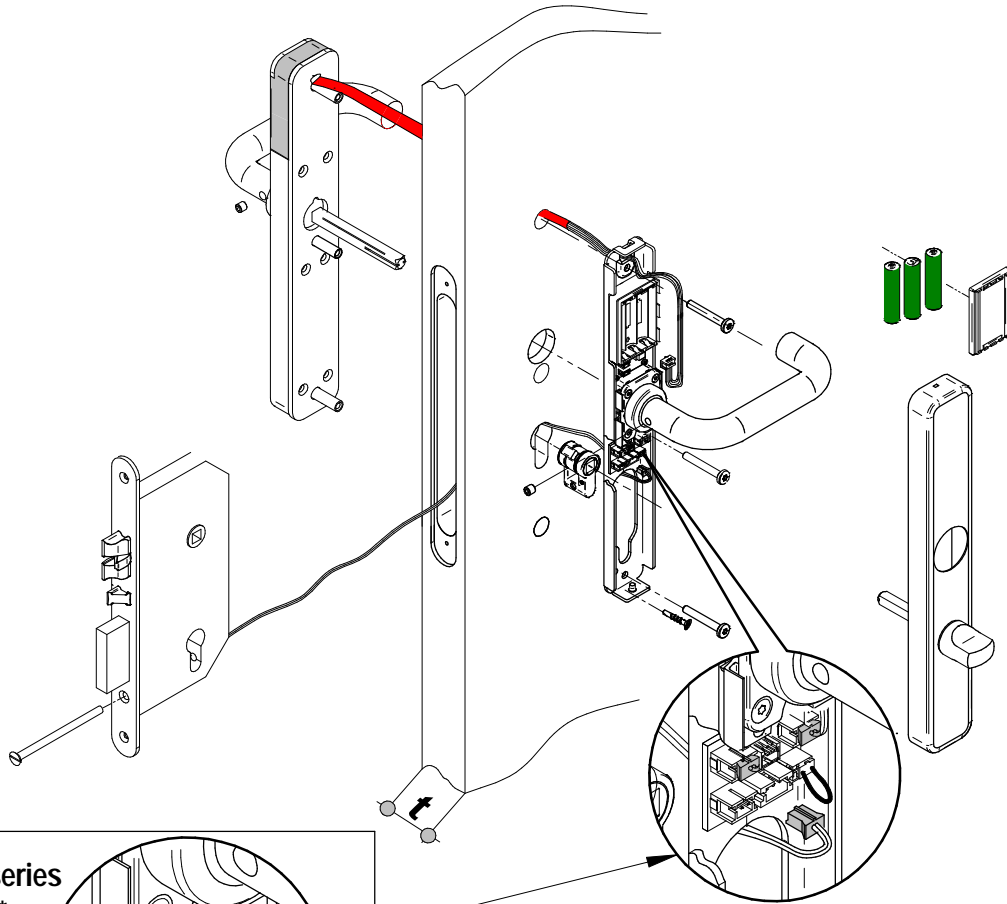
(P) **NESTE PONTO NÃO FECHÉ A PORTA. PROGRAME O ESCUDO PRIMEIRO**
Consult manual do usuário

Installation guide

XS4 One High Security

SALTO
inspiredaccess

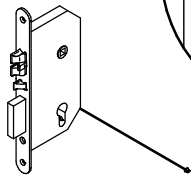
E i 751 xx..P
E i 753 xx..P



**ONLY FOR LE7Sxx series
MORTISE LOCK***



Unplug
Desconecte
Débranchez
Ziehen
Scollegare
Desliguar



(*) XS4 One + LE7Sxx PAS24 testing pending

All contents current at time of publication.
SALTO Systems S.L. reserves the right to change availability of any
item in this catalog, its design, construction, and/or materials.

XS4 One