

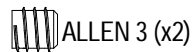
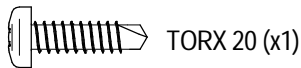
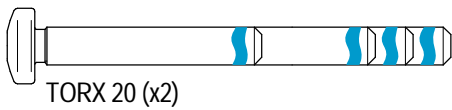
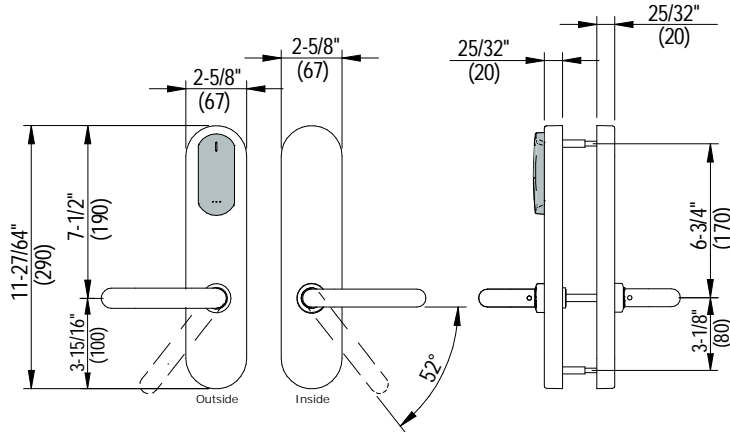
Installation guide

XS4 Original+ for USA mortise locks, cylindrical & tubular latches

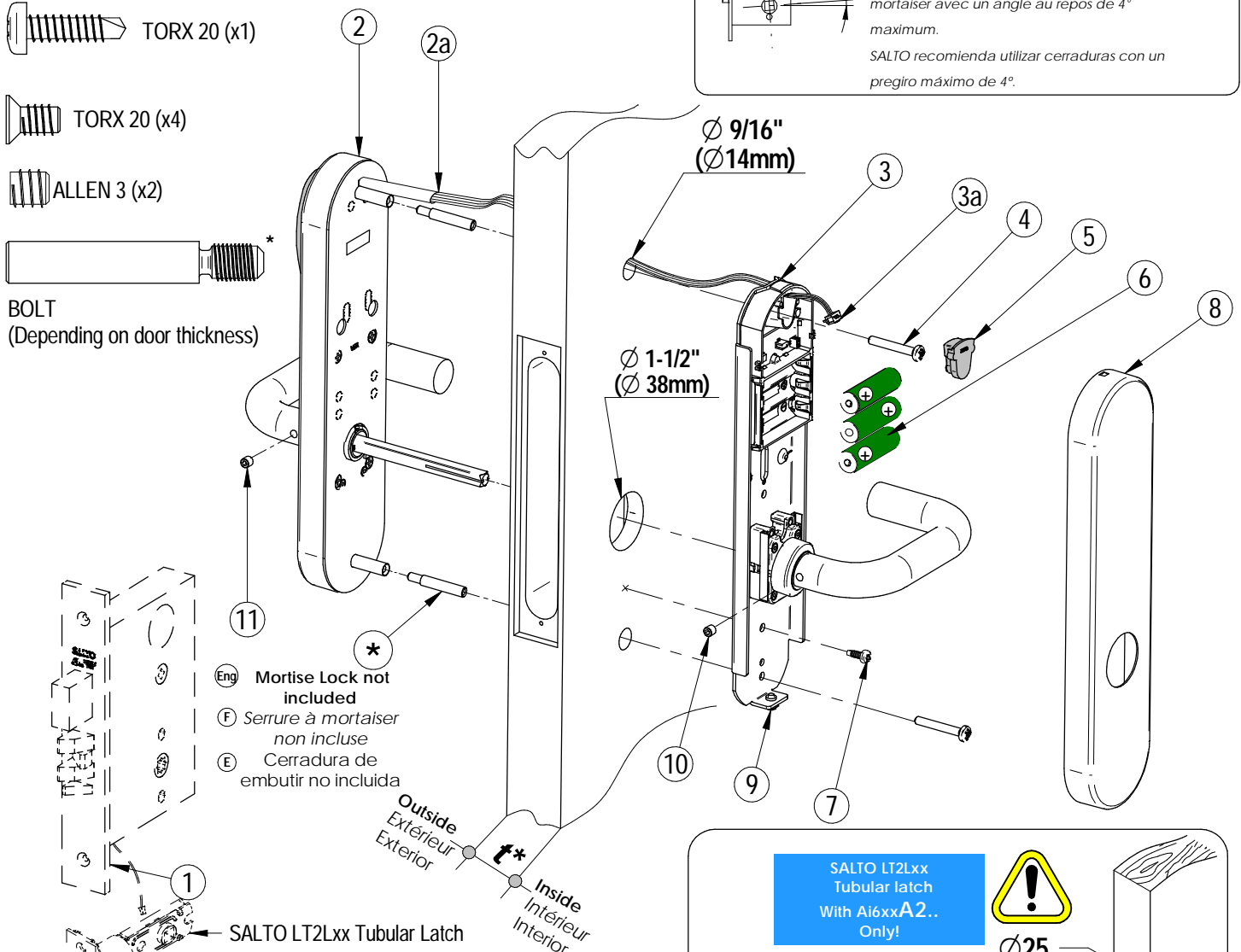
SALTO
inspired access

- Eng Installation guide
- F Guide d'installation
- E Guía de instalación

A i 650xx series



SALTO recommends the use of a mortise lock, with a maximum 4° pre-turn.
 SALTO recommande d'utiliser des serrures à mortaiser avec un angle au repos de 4° maximum.
 SALTO recomienda utilizar cerraduras con un pregiro máximo de 4°.



Eng Mortise Lock not included
 F Serrure à mortaiser non incluse
 E Cerradura de embutir no incluida

SALTO Tubular Latch to be included ALWAYS with the product!
 Picaporte tubular SALTO a incluir SIEMPRE con el producto!

SALTO LT2Lxx Tubular latch With A16xxA2.. Only!

To be used only with SALTO compatible escutcheons!

A utiliser uniquement avec les ensembles plaques-béquilles SALTO compatibles!

¡Utilizar solamente con escudos SALTO compatibles!

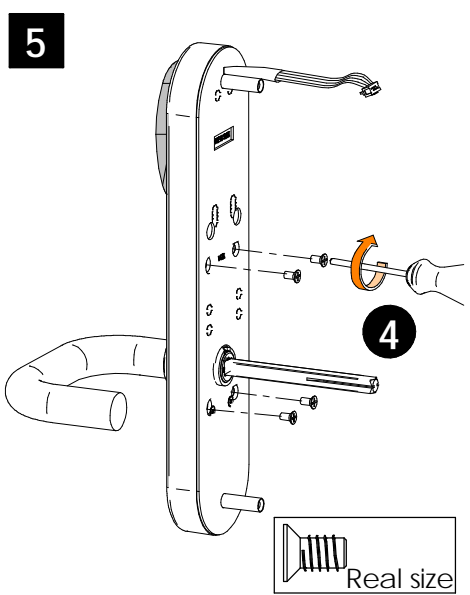
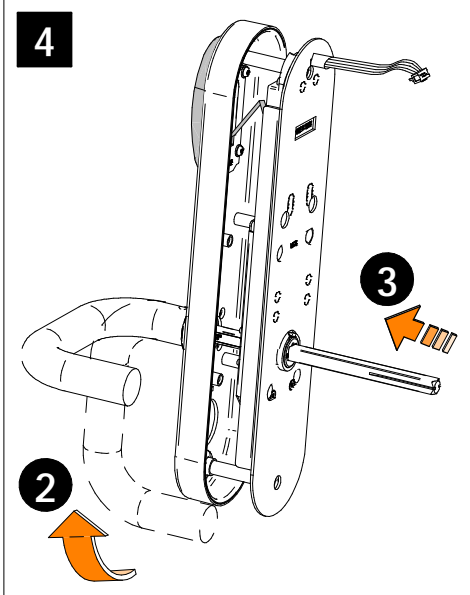
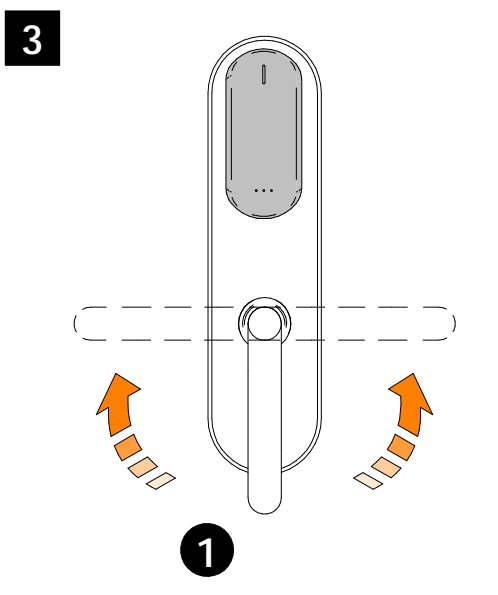
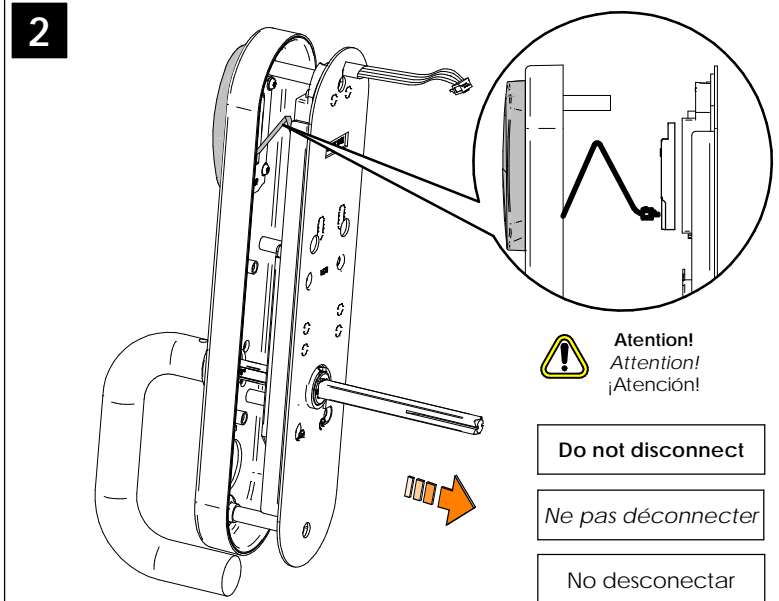
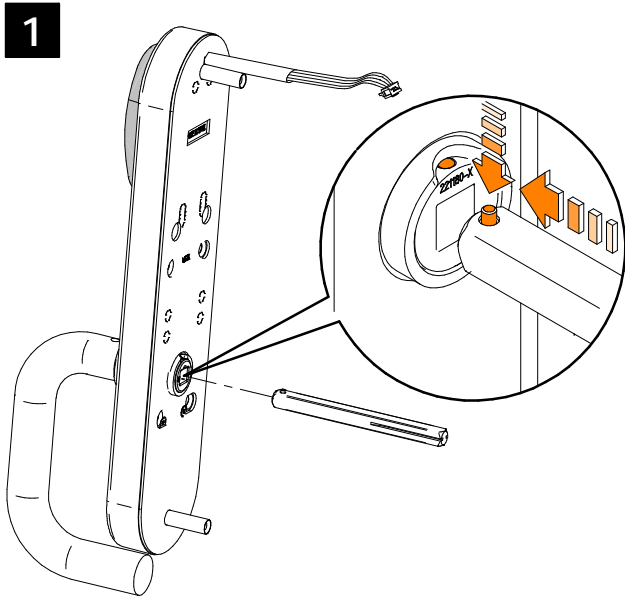
Ø25
Ø1"

Installation guide

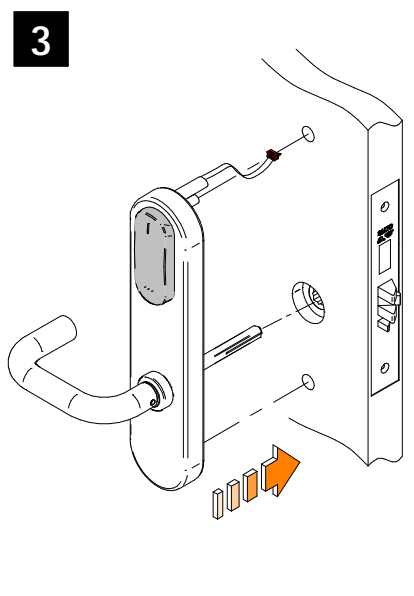
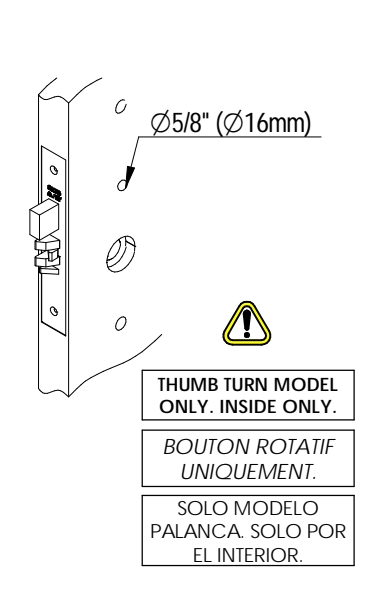
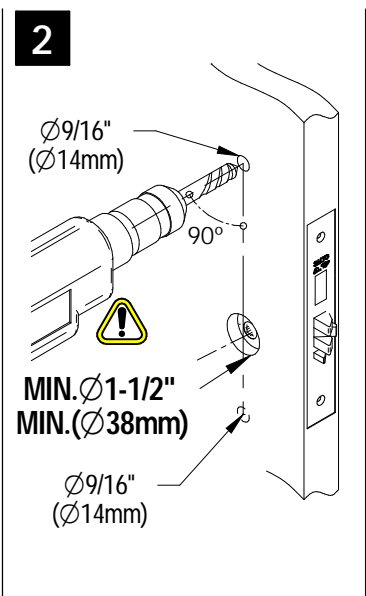
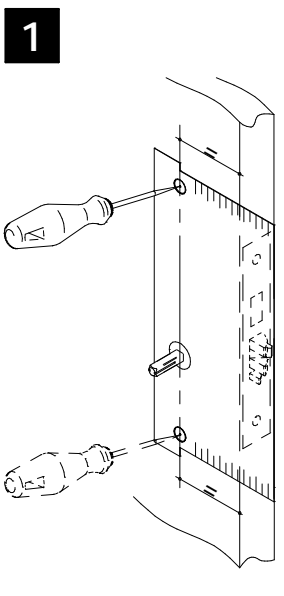
XS4 Original+ for USA mortise locks, cylindrical & tubular latches

SALTO
inspired access

Eng Select handing (F) Choisir le sens de la bèveille (E) Seleccione mano



Eng Installation (F) Installation (E) Instalación



Installation guide

XS4 Original+ for USA mortise locks, cylindrical & tubular latches

SALTO
inspired access

4

5

Real size
NOT OK

6

LR06
Real size

7

8

1
2

9

10

Real size

AT THIS POINT DO NOT CLOSE THE DOOR PROGRAM THE LOCK FIRST
Follow user manual

NE FERMEZ PAS LA PORTE. PROGRAMMEZ LA BÉQUILLE AVANT
Consultez le manuel utilisateur

NO CIERRE LA PUERTA. PROGRAME LA CERRADURA
Consulte el manual del usuario

Eng Battery change
F Remplacer les piles
E Cambio de pilas

LR06

MAX. 40"
Change/Remplacer/Cambio

Installation guide

XS4 Original+ for USA mortise locks, cylindrical & tubular latches

SALTO
inspired access

