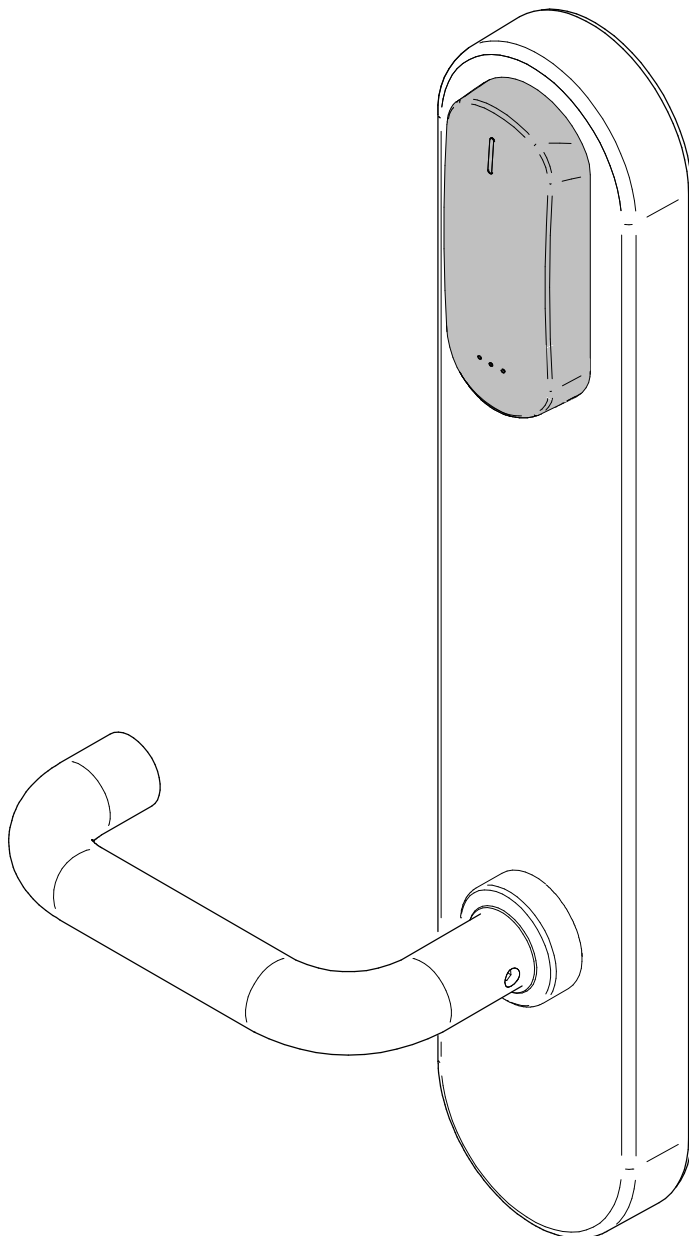
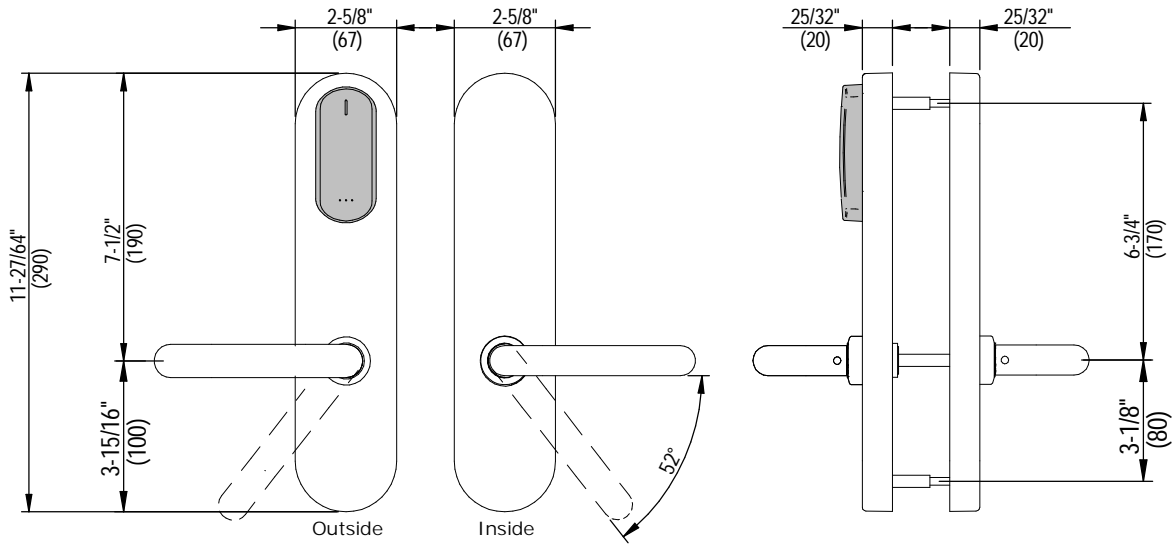






XS4 Original+ for USA mortise locks, cylindrical & tubular latches



The Salto XS4 Original+ is designed to fit most ANSI profile doors, mortise, cylindrical and tubular locks. Easy to install and retrofit, it can replace your existing door hardware and fits any door with a broad range of different models and functions. The XS4 Original+ incorporates the latest BLUEnet wireless and mobile credentials technology to accommodate access control needs of both today and tomorrow.

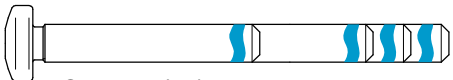

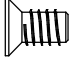


A i 6xx series

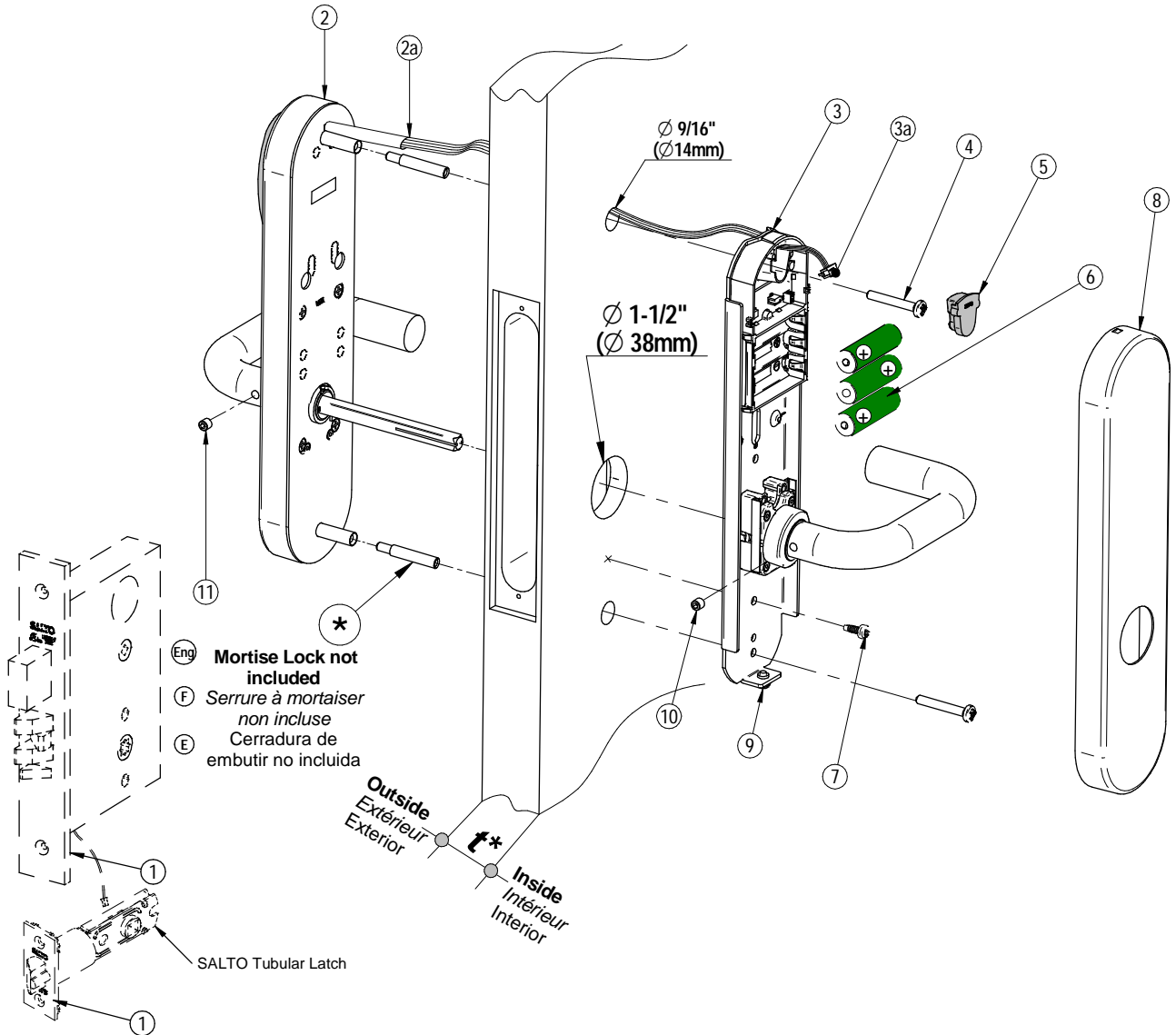
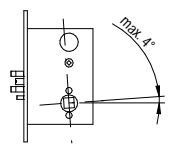


| | | | |
|---|---|---|---|
| S i 6xx.. series | | S i 6xx..E5 series | |
| OUTSIDE | INSIDE | OUTSIDE | INSIDE |
|  |  |  |  |

BHMA
CERTIFIED
A156.25 grade 1
Only with SALTO LA1T mortise lock.


For more information
[CLICK HERE](#)

-  TORX 20 (x2)
-  TORX 20 (x1)
-  TORX 20 (x4)
-  ALLEN 3 (x2)
-  BOLT *
(Depending on door thickness)

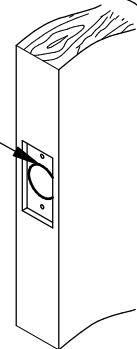



SALTO recommends the use of a mortise lock, with a maximum 4° pre-turn.
SALTO recommande d'utiliser des serrures à mortaiser avec un angle au repos de 4° maximum.
SALTO recomienda utilizar cerraduras con un pregiro máximo de 4°.

SALTO Tubular latch

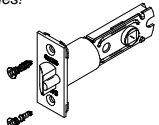


$\varnothing 25$
 $\varnothing 1"$



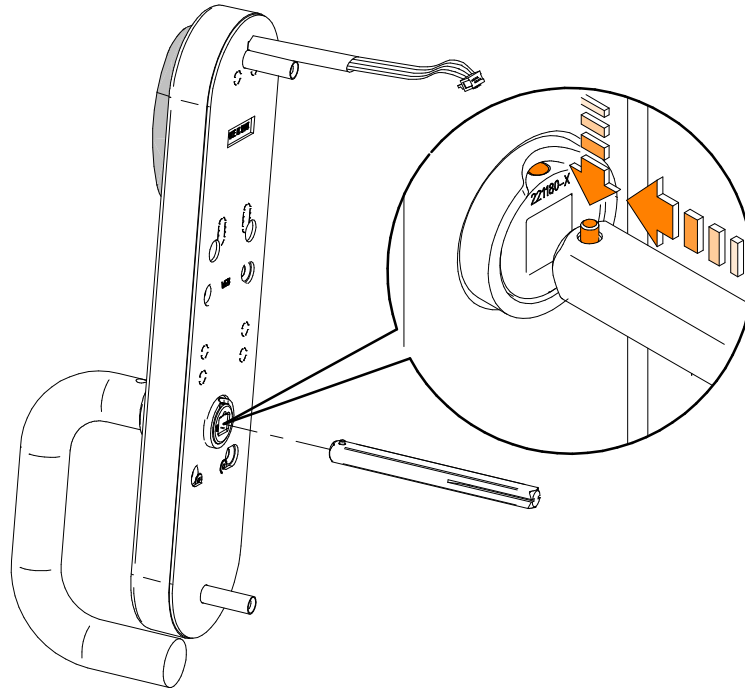
To be used only with SALTO compatible escutcheons!
A utiliser uniquement avec les ensembles plaques-béquilles SALTO compatibles!

¡Utilizar solamente con escudos SALTO compatibles!

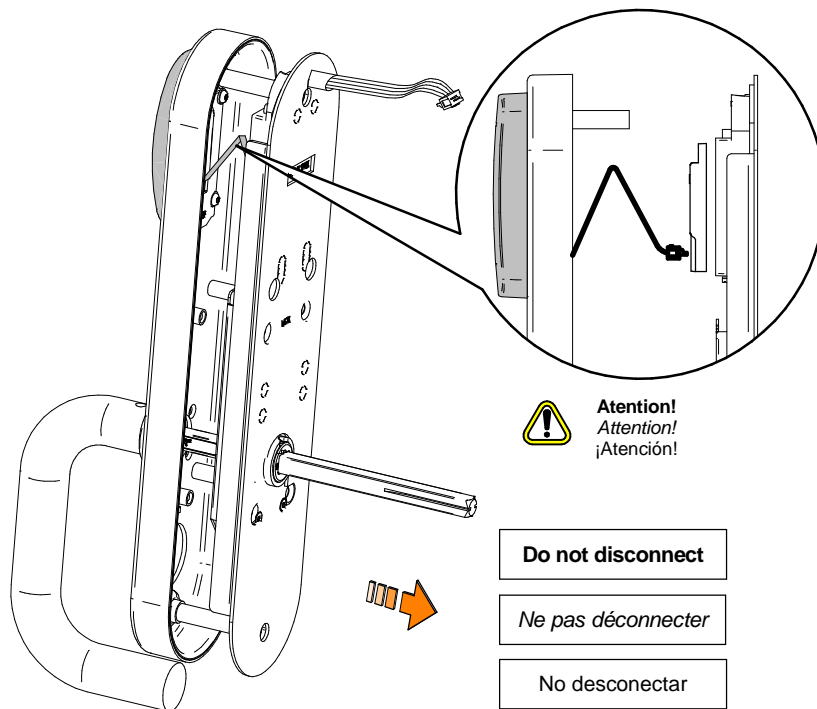


Eng Select handing **F** Choisir le sens de la bèveille **E** Seleccione mano

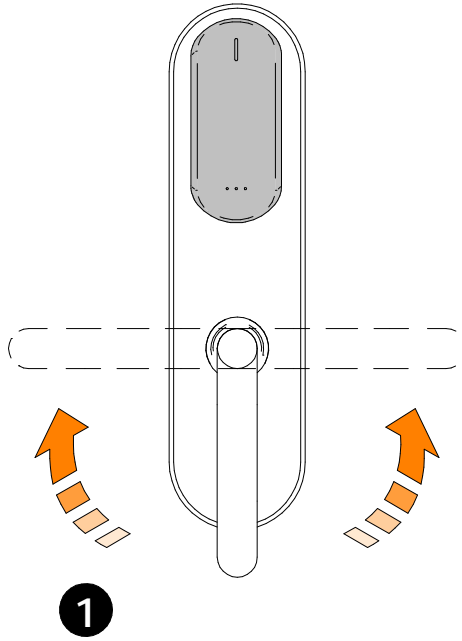
1



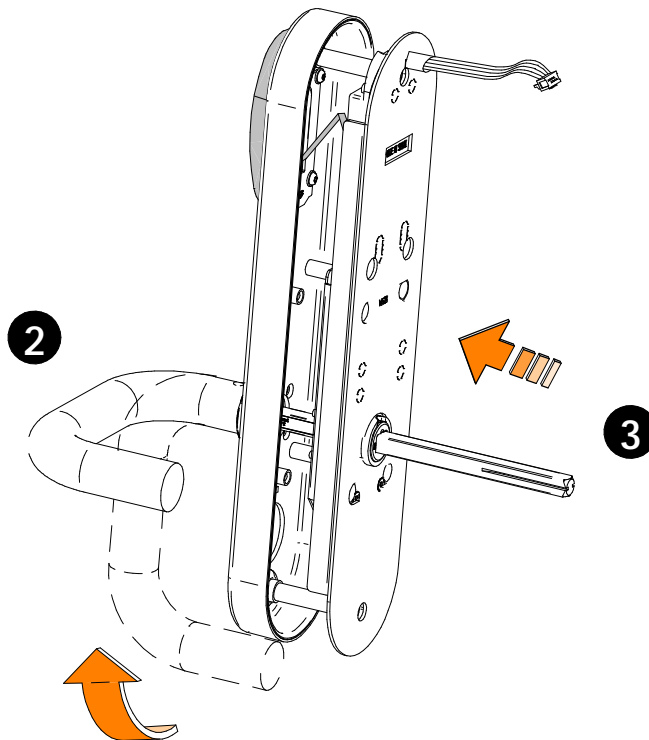
2



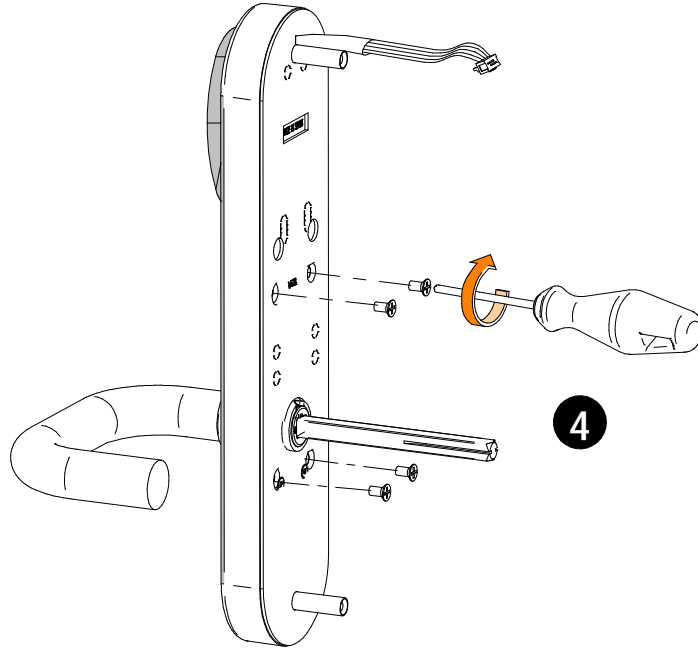
3



4



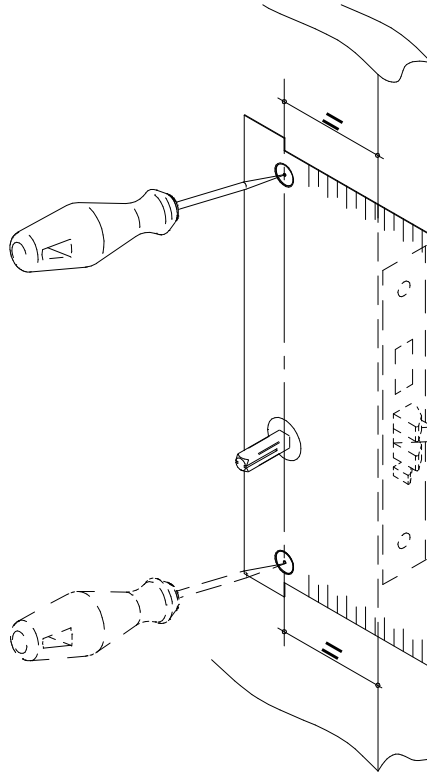
5



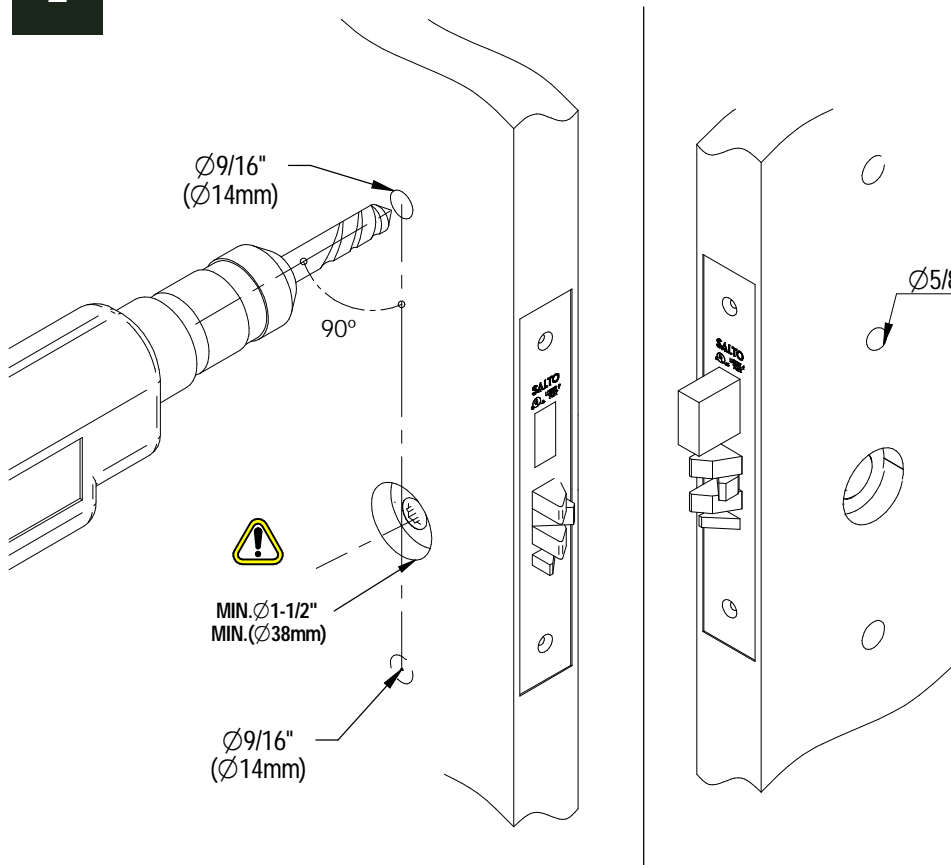
E5 models
CLICK
HERE


Eng Installation **F** Installation **E** Instalación

1



2



$\varnothing 5/8"$ ($\varnothing 16\text{mm}$)

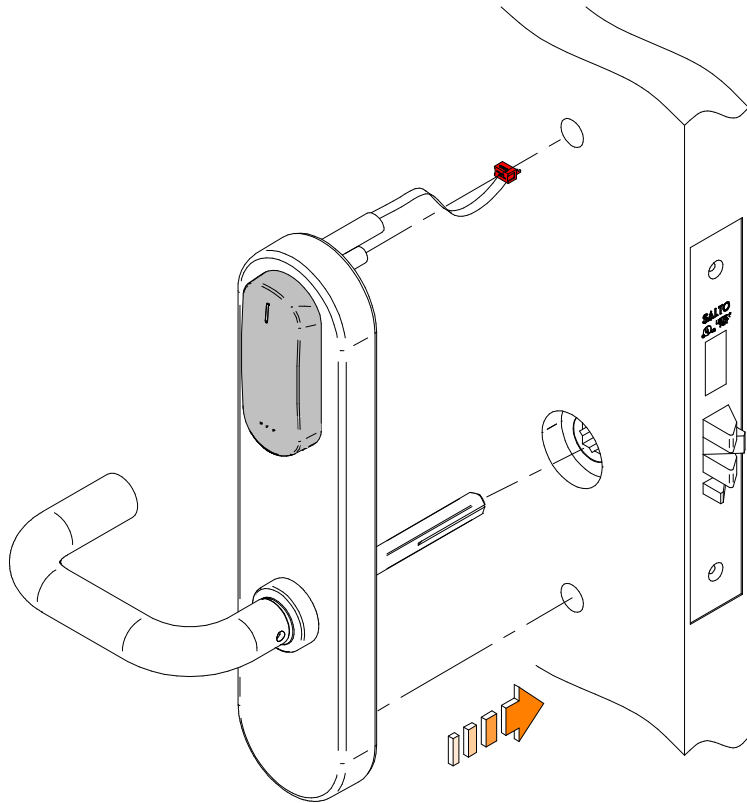


THUMB TURN MODEL ONLY. INSIDE ONLY.

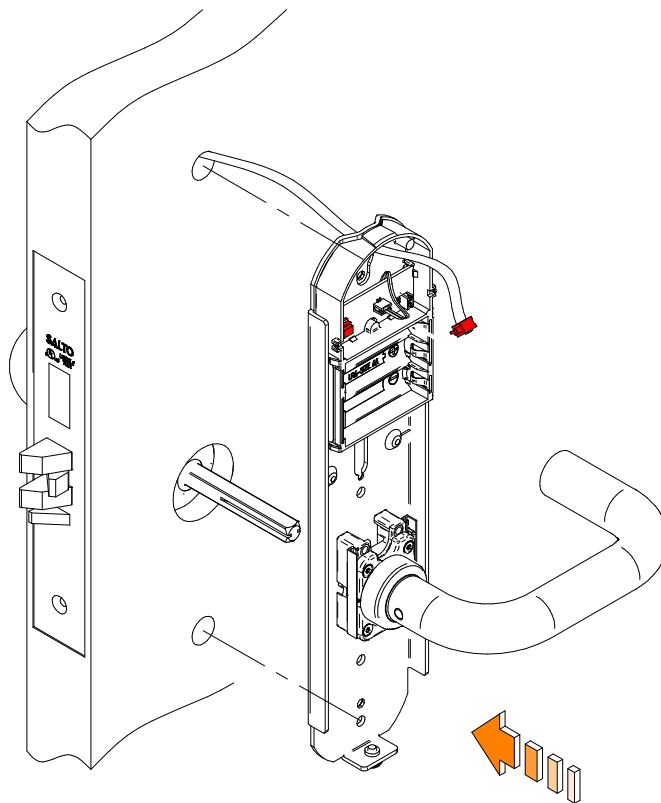
BOUTON ROTATIF UNIQUEMENT.

SOLO MODELO PALANCA. SOLO POR EL INTERIOR.

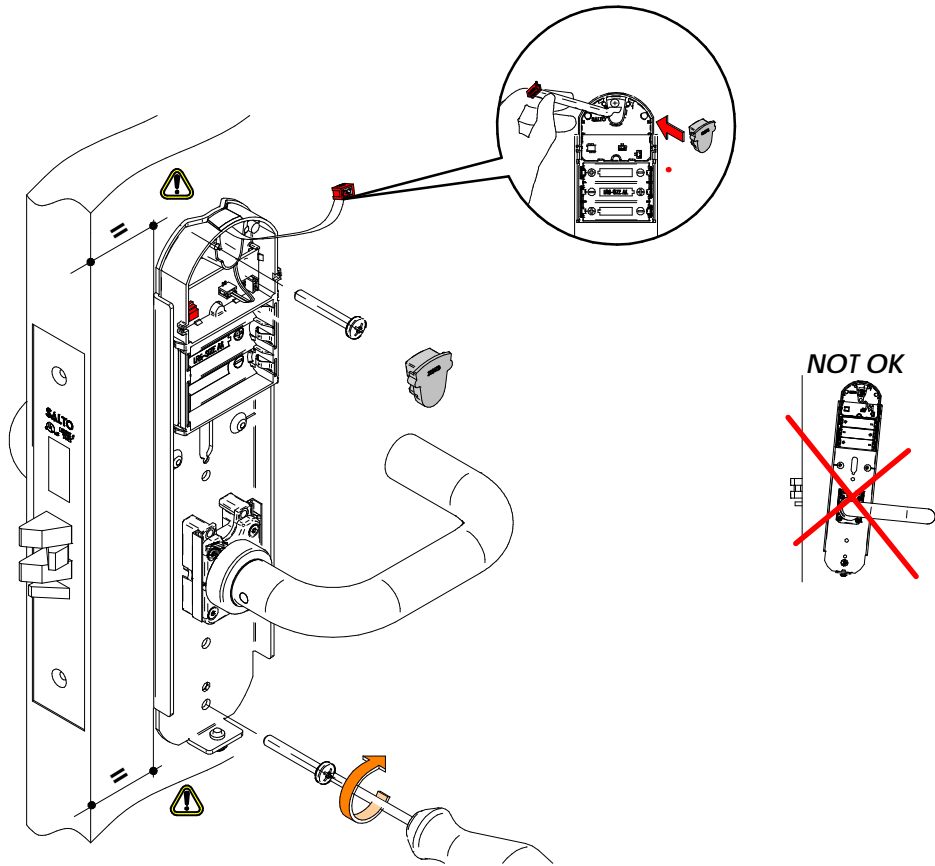
3



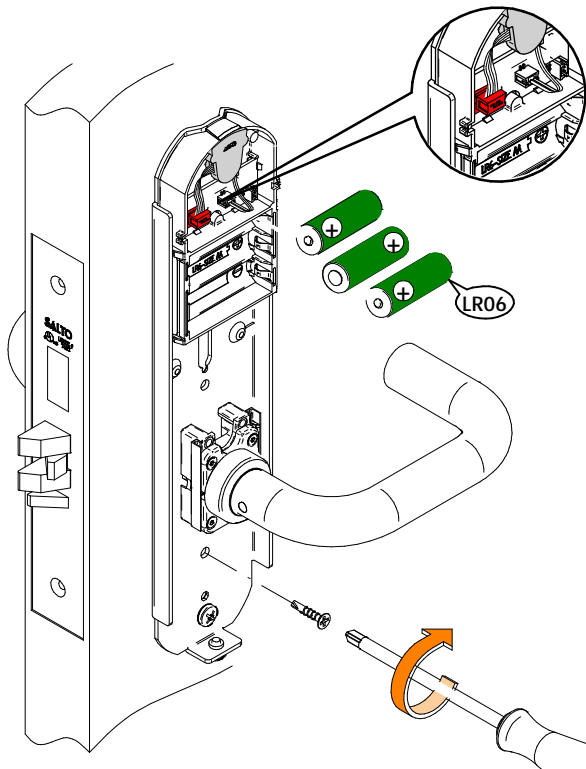
4



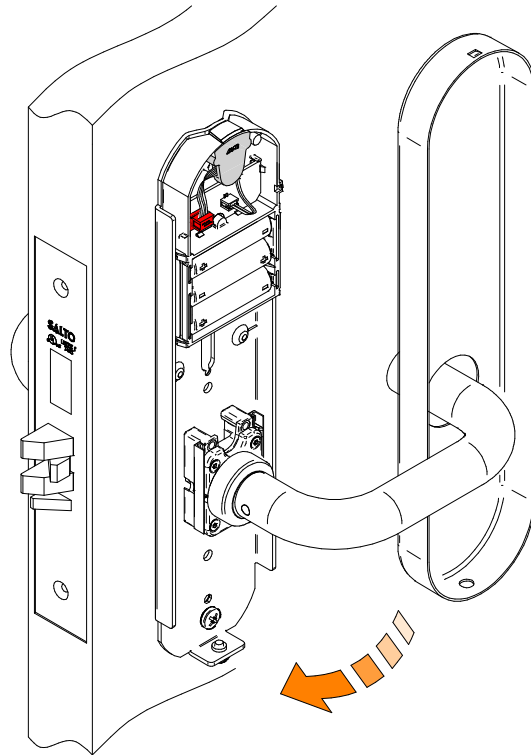
5



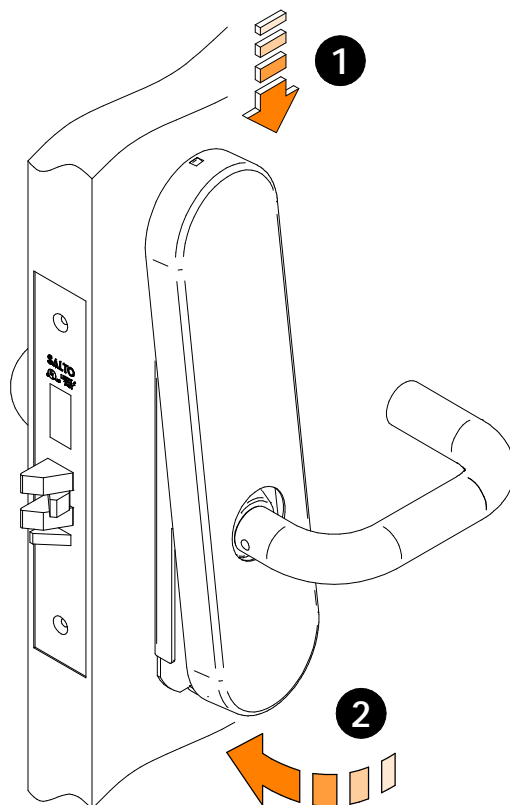
6



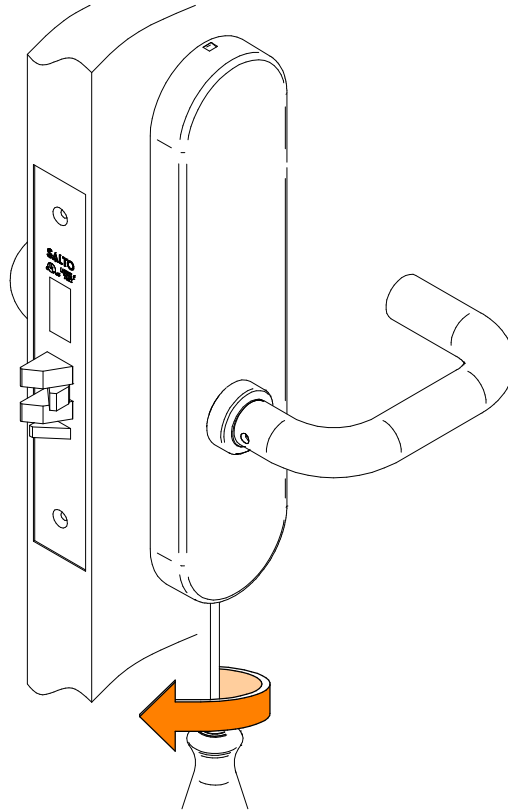
7



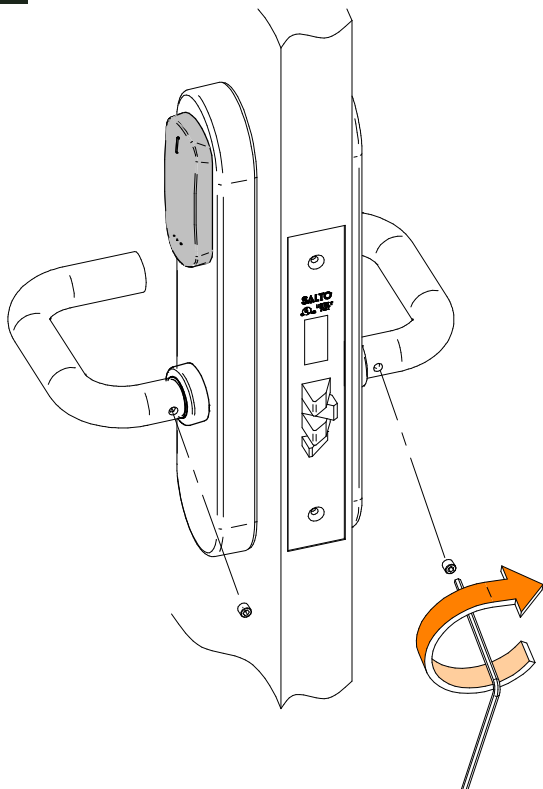
8



9



10



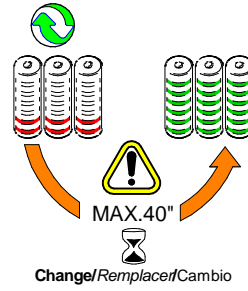
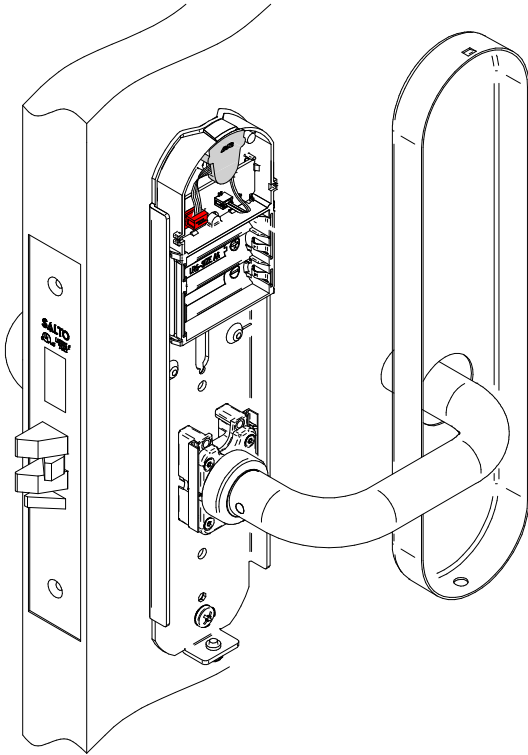
(Eng) AT THIS POINT DO NOT
CLOSE THE DOOR
PROGRAM THE LOCK FIRST
Follow user manual

(F) NE FERMEZ PAS LA PORTE.
PROGRAMMEZ LA BÉQUILLE
AVANT
Consultez le manuel utilisateur

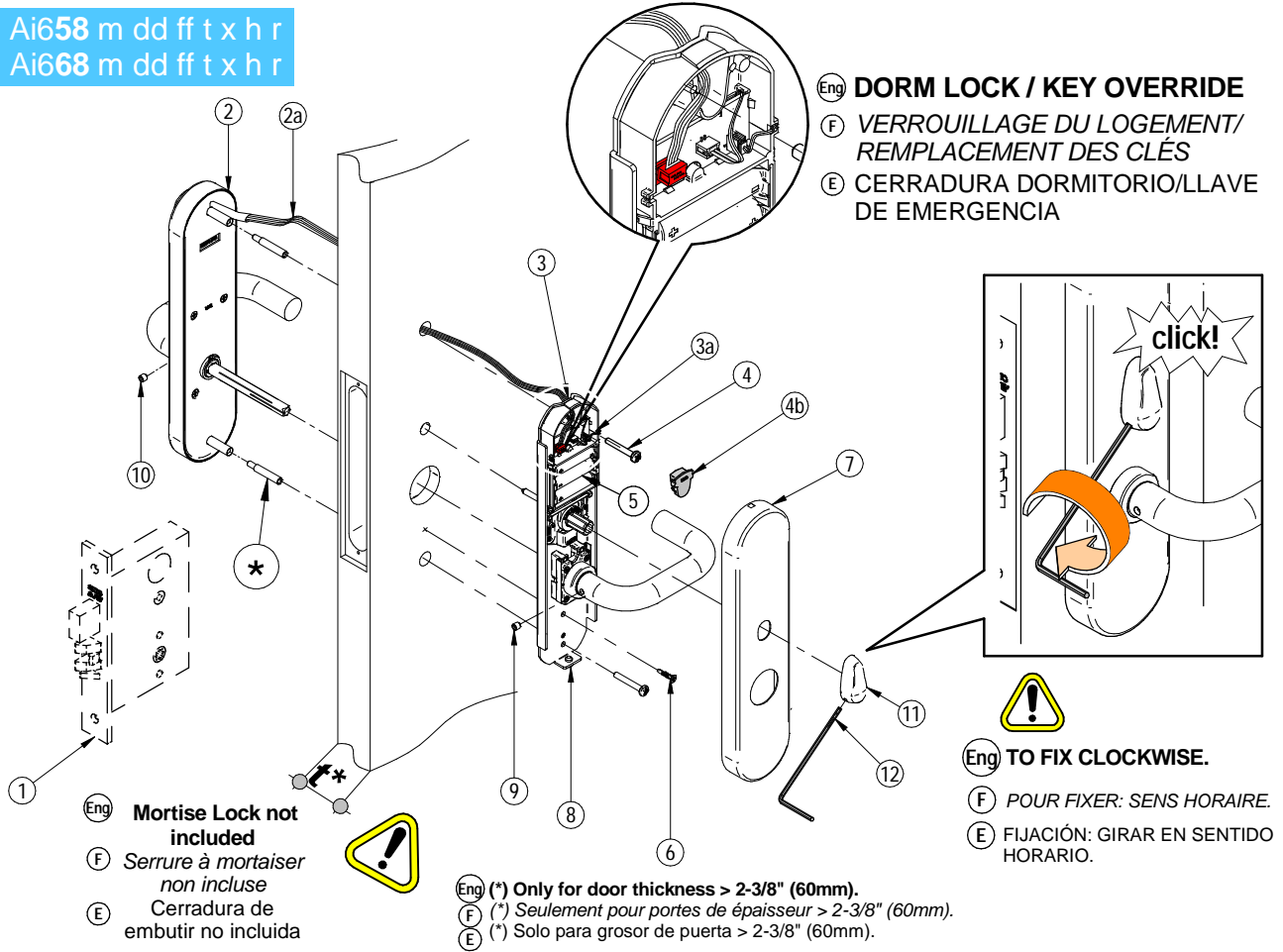
(E) NO CIERRE LA PUERTA.
PROGRAMME LA CERRADURA
Consulte el manual del usuario

Eng Battery change **F** Remplacer les piles **E** Cambio de pilas

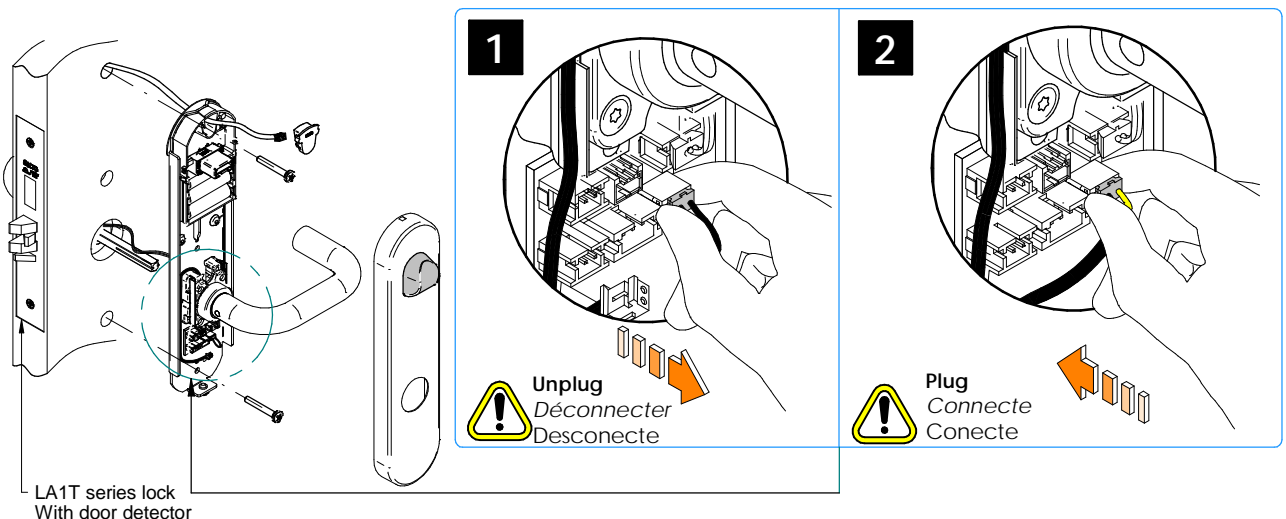
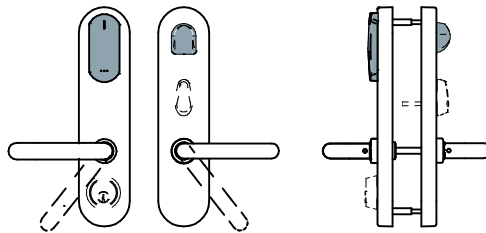
LR06



Ai658 m dd ff t x h r
Ai668 m dd ff t x h r



AT6xx.. series



UL294 Statements

UL listed XS4 Original+ ANSI models AM65xx, and AM67xx.

Tested by UL with Mifare (DESFIRE, ULTRALIGHT C) RFID communication, and with Mobile APP (JustIN Mobile version 2.x) through Bluetooth LE 5.2 and NFC. Minimum Operating System version for Android: 13 (Nougat) (kernel 4.19.111-27127798) or later and for iOS: 17.5.1 or later. A means of verification shall be employed by the user to enable access to the wireless electronic device such as a PIN or biometric feature. The wireless electronic device is not capable of command, control, programming, or any other system manipulation and it is only to be used in the same manner as a physical credential.

Indoor use. The IP value has not been verified by UL. Tested with LR6 batteries. Operating temperature -5°C to +50°C. Humidity 0 to 95% (non-condensing). BLE frequency range 2400-2483.5 MHz. RFID central frequency 13.56 MHz.

| MODEL | SOFTWARE VERSION |
|--------------------------|--|
| AM65xx – AM66xx – AM67xx | 0174v01.xx, 0129v00.xx, 0186v01.xx, 0187v11.xx, 0197v02.xx |

Signalling guide 226966-ED.-06/09/2021 referenced by this document is common for all XS4 Original+ and XS4 One S product families including XS4 Original+ ANSI models AM65xx, AM66xx and AM67xx.

UL294 performance level:

| FEATURE | LEVEL |
|--------------------|-------|
| Destructive attack | I |
| Line Security | I |
| Endurance | IV |
| Standby power | I |