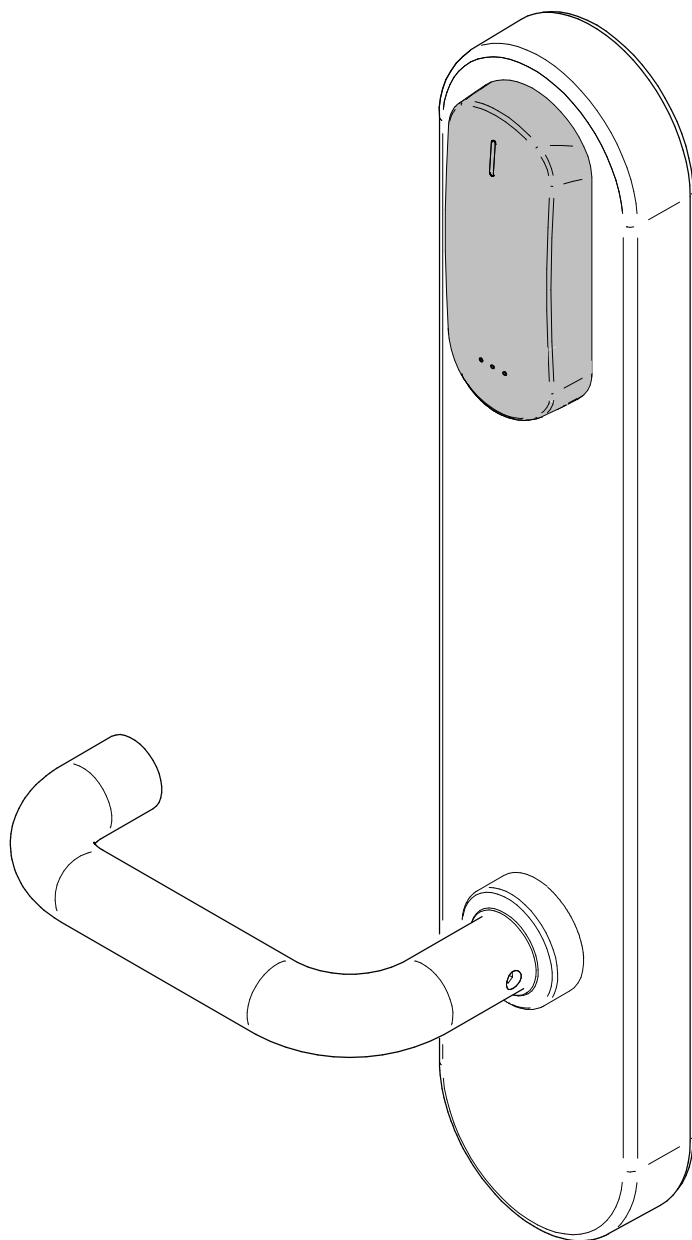
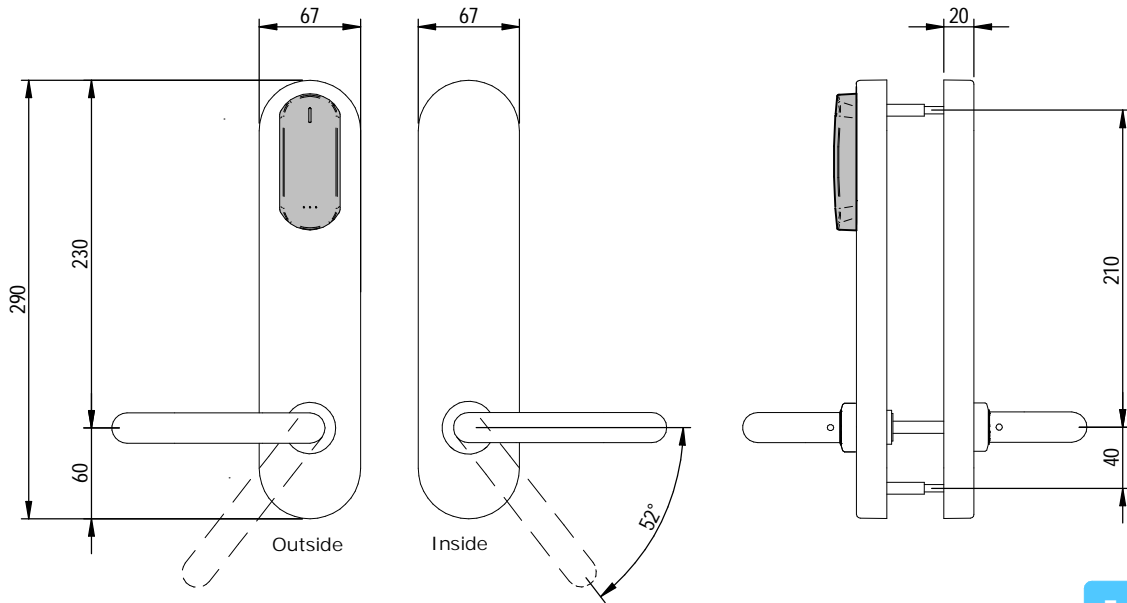


XS4 Original+ for Scandinavian modular mortise locks



The Salto XS4 Original+ wide body version is designed to fit most Scandinavian profile doors and mortise locks standards. Easy to install and retrofit, it can replace your existing door hardware and fits any door with a broad range of different models and functions. The XS4 Original+ incorporates the latest BLUEnet wireless and mobile credentials technology to accommodate access control needs of both today and tomorrow.

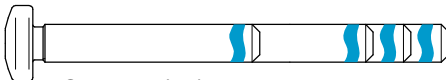
S i 6xx m 00 ff t x h r series




S i 6xx.. series		S i 6xx..E5 series	
OUTSIDE	INSIDE	OUTSIDE	INSIDE

EN16867: 2021
4 7 - B 2 4 D 0 0

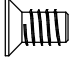
For more information
[CLICK HERE](#)




TORX 20 (x2)




TORX 20 (x1)



TORX 20 (x4)



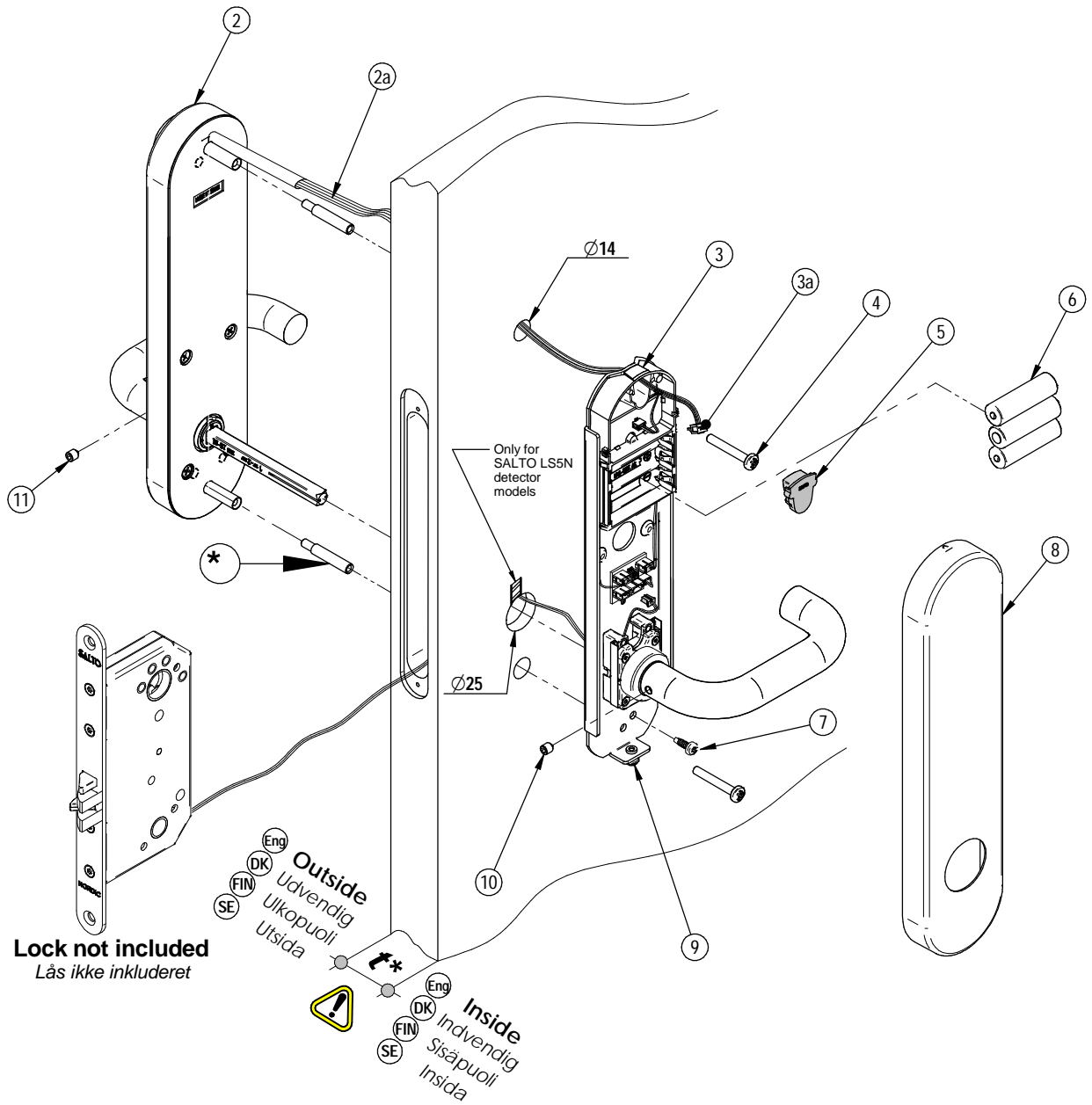
ALLEN 3 (x2)



BOLT *
(Depending on door thickness)

i

	t Door thickness		
3	32 - 47mm	35 mm	-
4	45 - 60 mm	50 mm	-
6	60 - 75 mm	30 mm	x2
7	75 - 90 mm	45 mm	x2
9	90 - 105 mm	30 mm	x4
1	105 - 120 mm	45 mm	x4



Lock not included
Lås ikke inkluderet



SALTO recommends the use of a mortise lock, with a maximum 4° pre-turn.

SALTO recommande d'utiliser des serrures à mortaiser avec un angle au repos de 4° maximum.

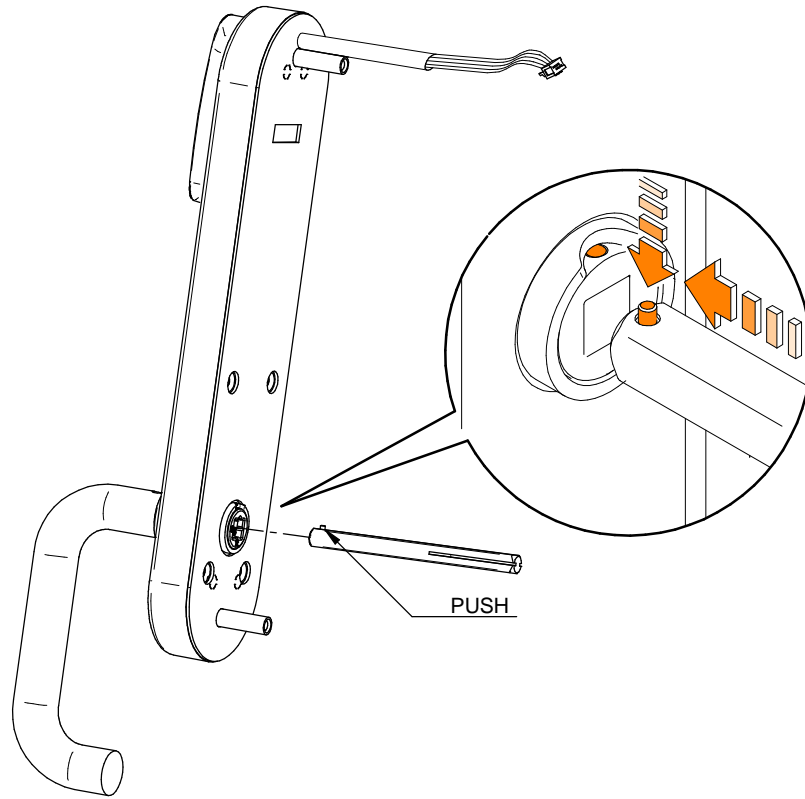
SALTO recomienda utilizar cerraduras con un pregiro máximo de 4°.



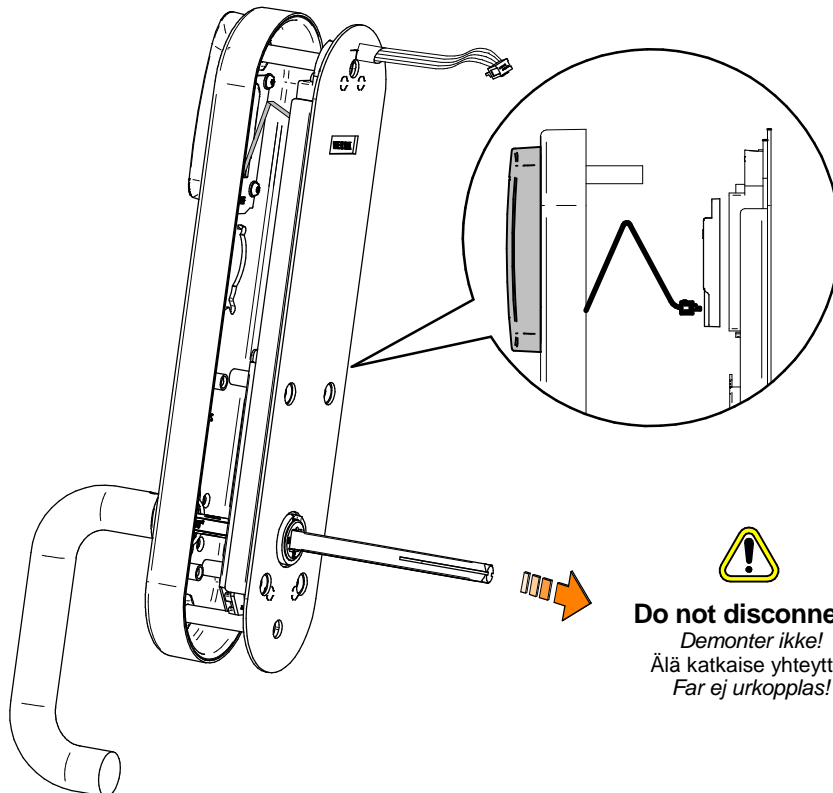
- * Required only for doors that exceed 60mm thickness.
- * Skal kun anvendes på døre hvor tykkelse er mere end 60mm.
- * Oville jotka vahvempia kuin 60 mm
- * Behövs endast för dörrar som är tjockare än 60mm

(Eng) Select handing **(DK)** VÆlg retning for greb **(FIN)** Valitse kätsiys **(SE)** Välj höger / vänster

1

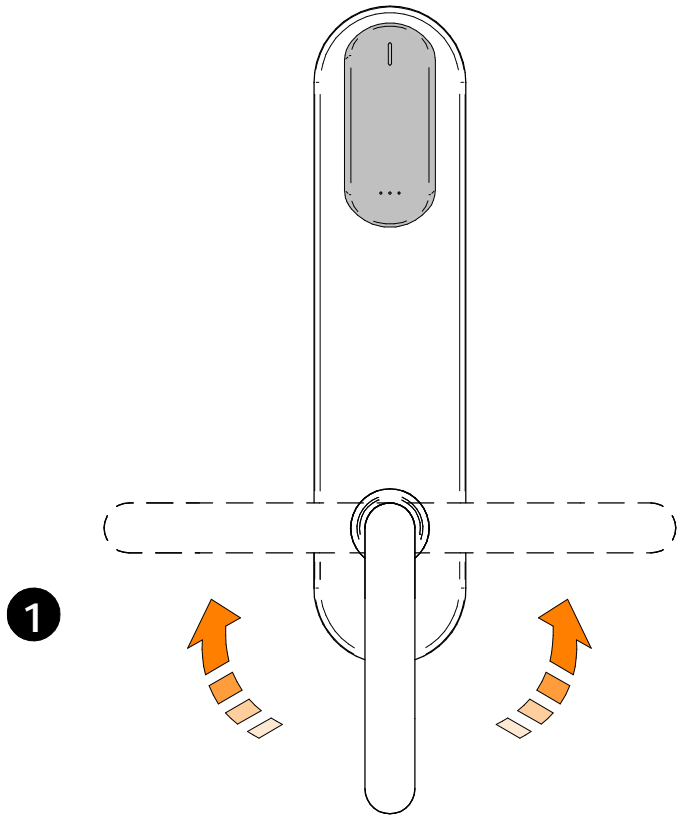


2

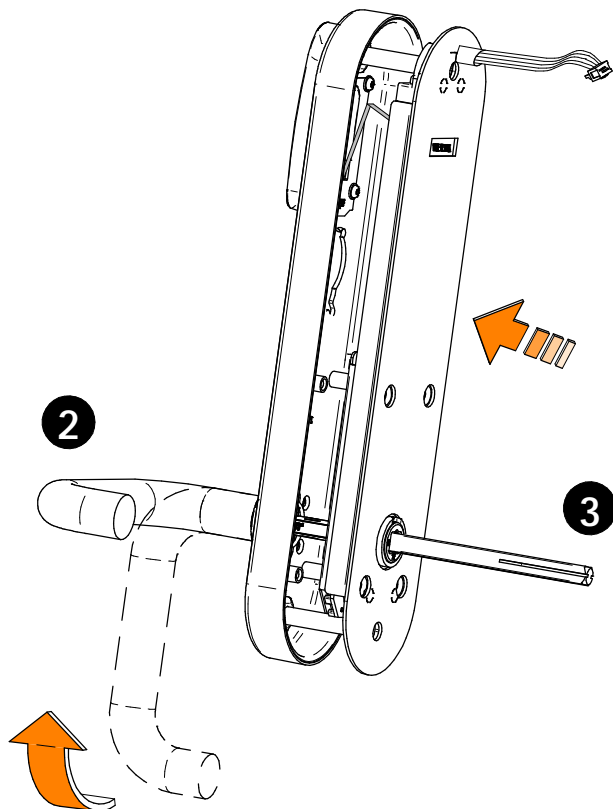


Do not disconnect!
*Demontér ikke!
Älä katkaise yhteyttä!
Far ej urkopplas!*

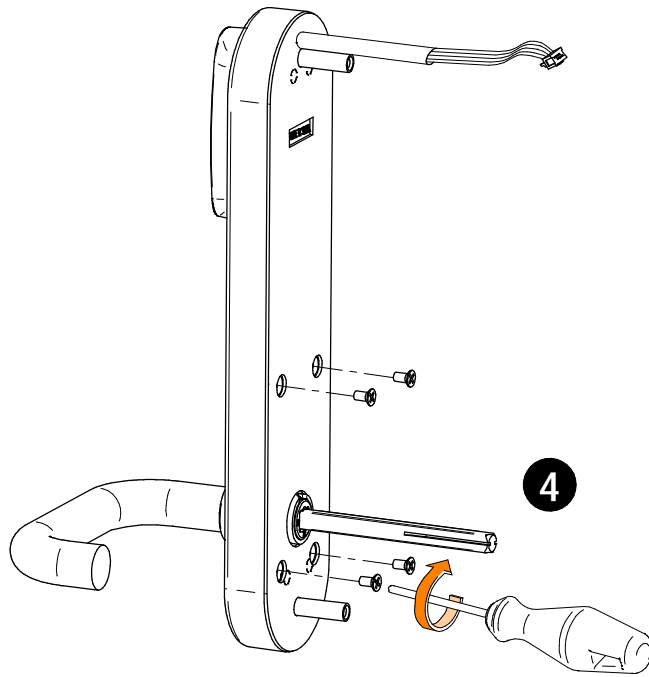
3




4



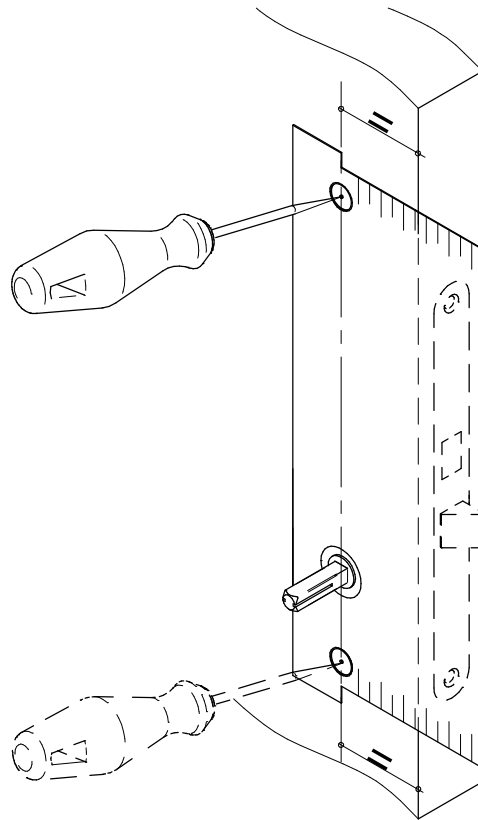
5



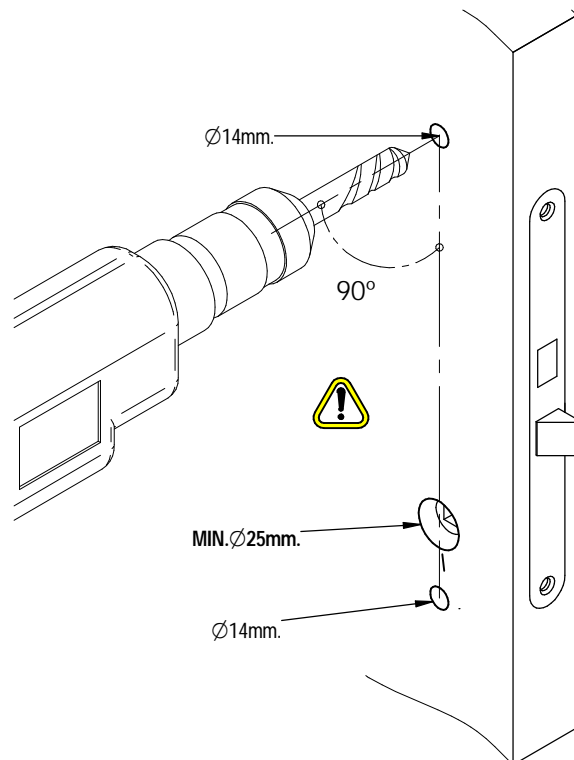
E5 models
CLICK
HERE


Eng Installation **DK** *Installation* **FIN** Asennus **SE** Installation

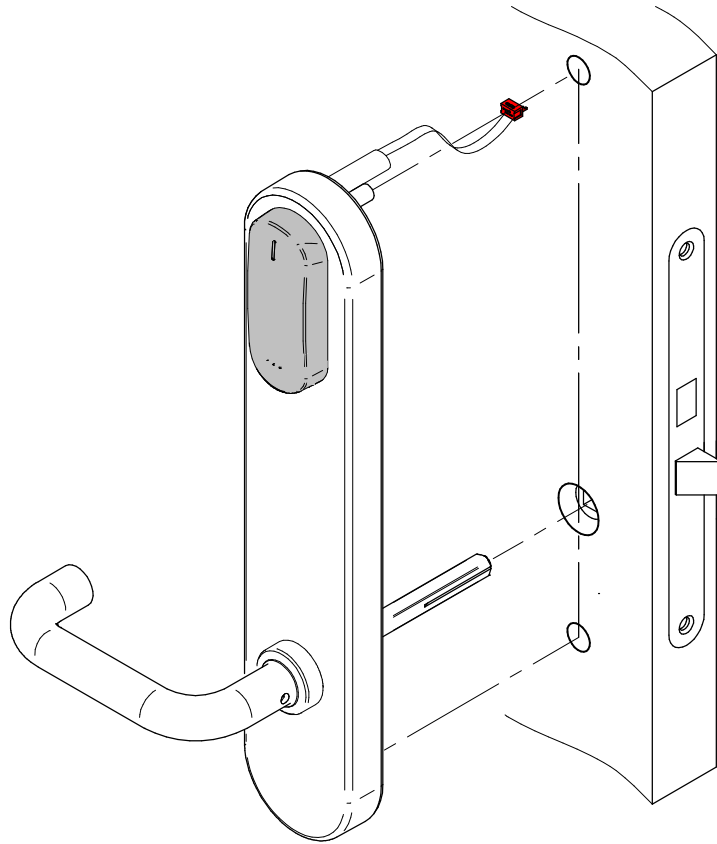
1



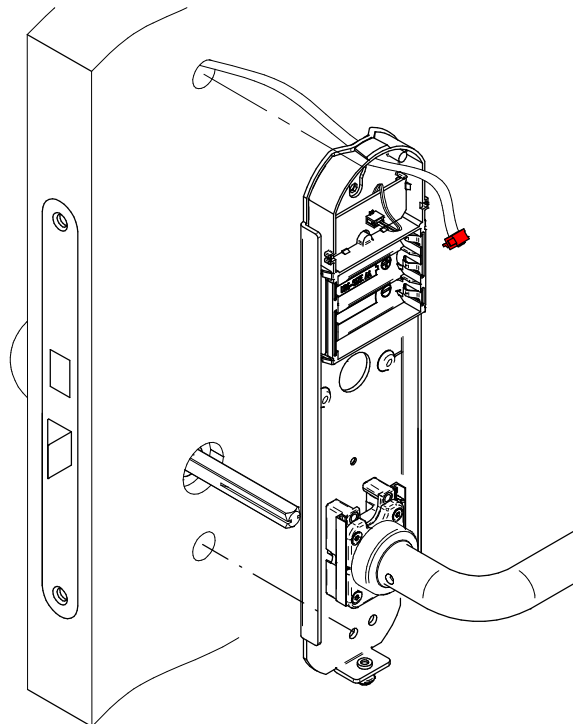
2



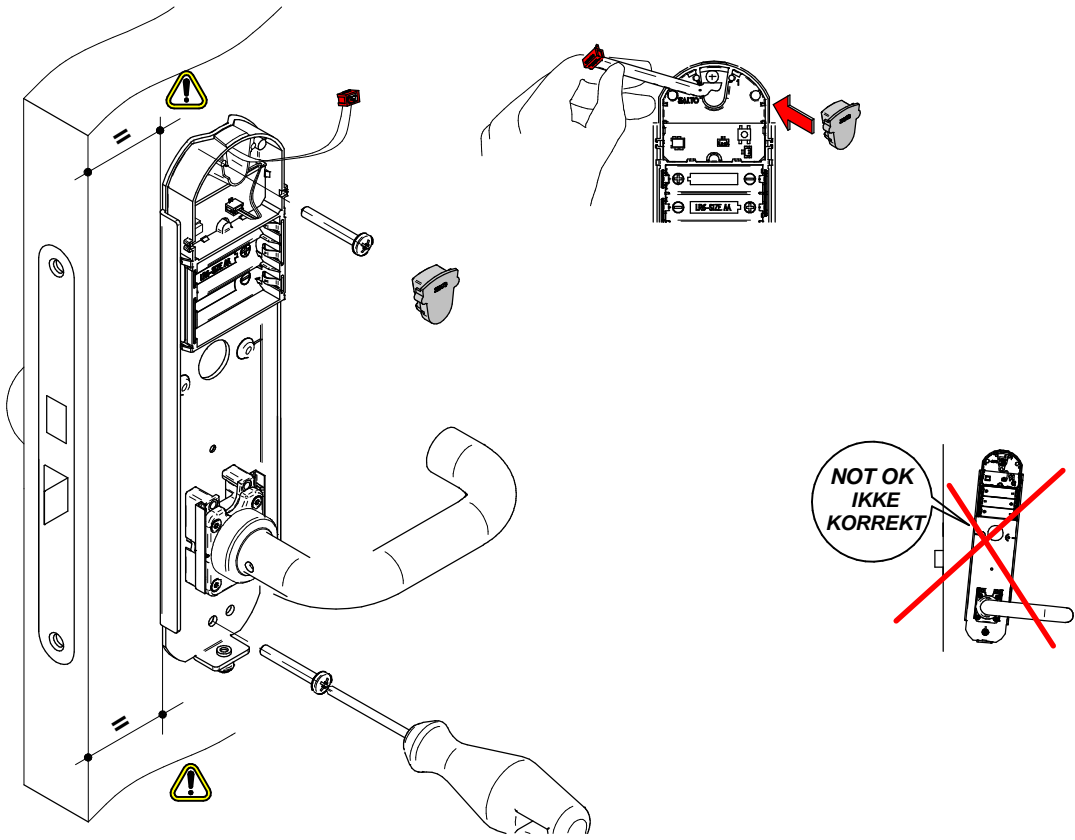
3



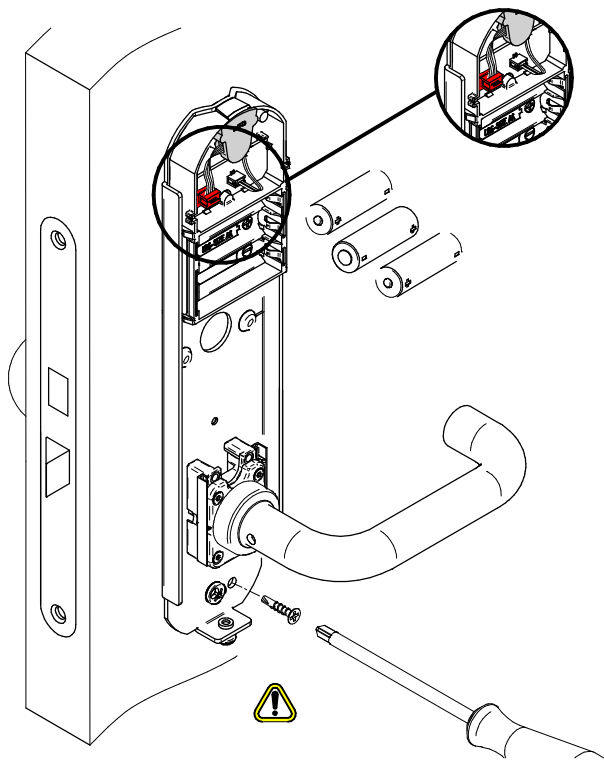
4



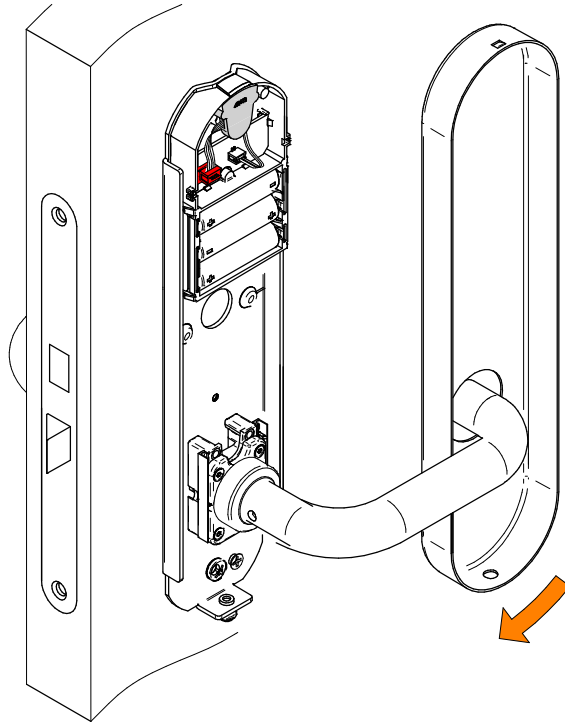
5



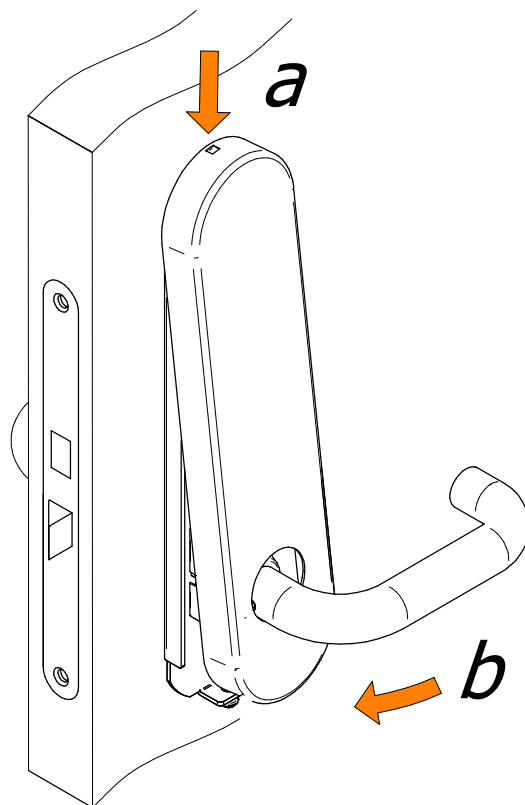
6



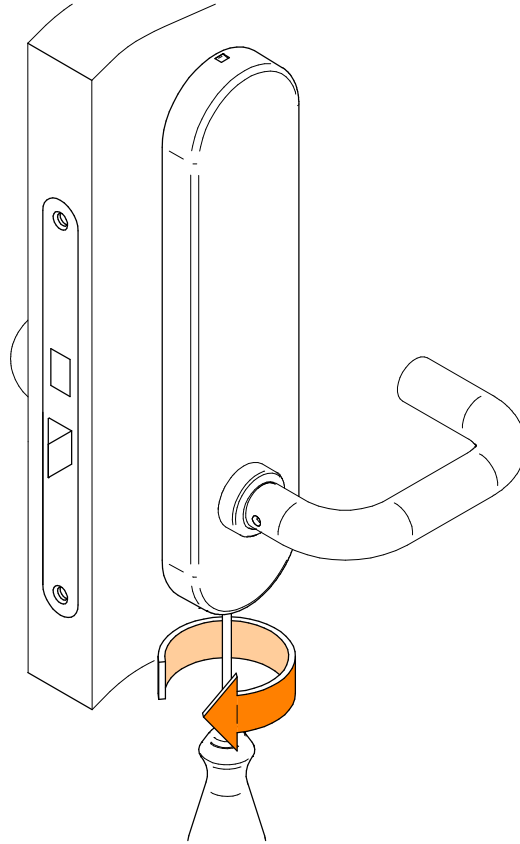
7



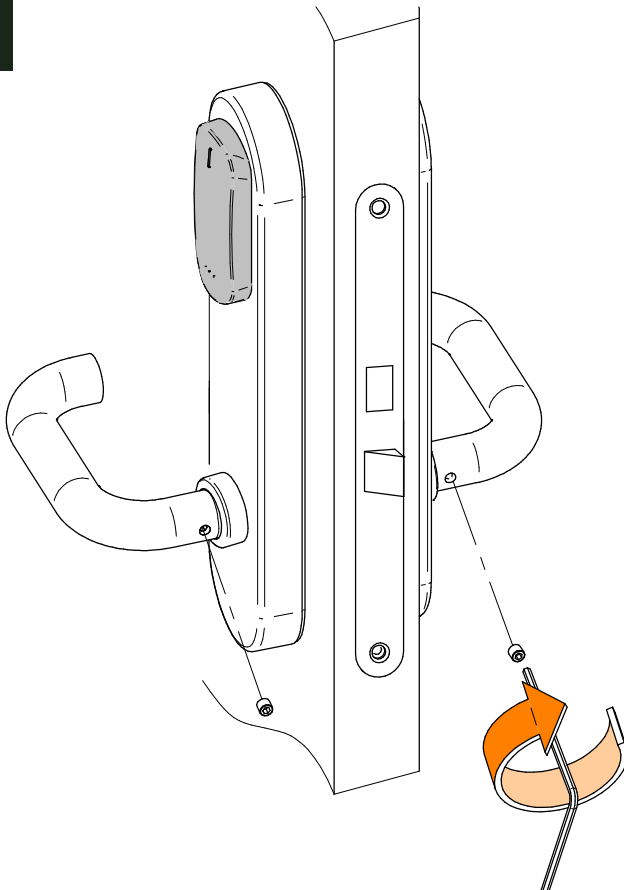
8



9



10



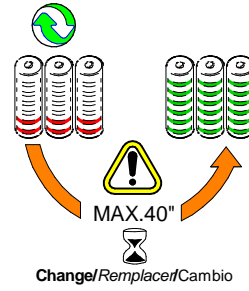
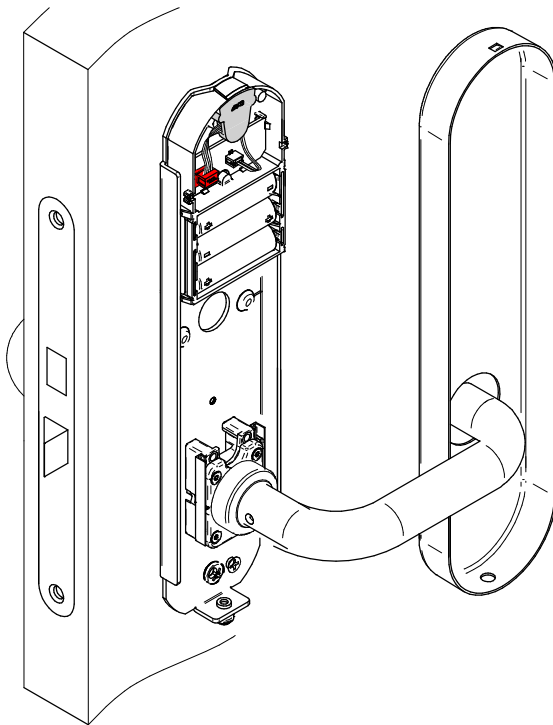
AT THIS POINT DO NOT CLOSE
THE DOORPROGRAM THE LOCK
FIRST

LUK IKKE DØREN FØR
LÅSEN ER TESTET

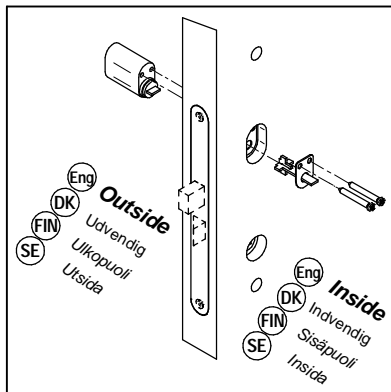
TESTAA TASSA VAIHEESSA
LUKKO ENNEN KUIN SULJET
OVEN

STÅNG INTE DÖRREN,
TESTA LÅSET FÖRST

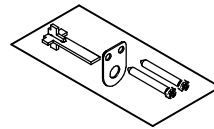
Eng Battery change **DK** Batteri utbyte **FIN** Akku Korvaaminen **SE** Batteri utbyte **LR06**



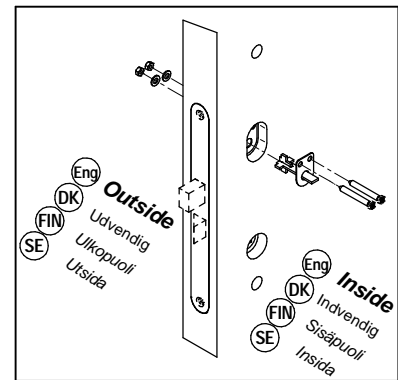
Si51 m 00 ff t x h r
Si55 m dd ff t x h r



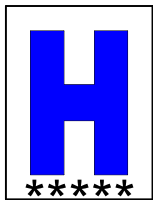
Single cylinder with thumb turn
Enkelt cylinder med vrider



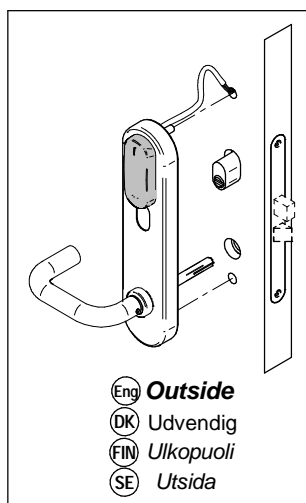
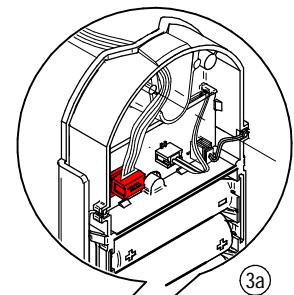
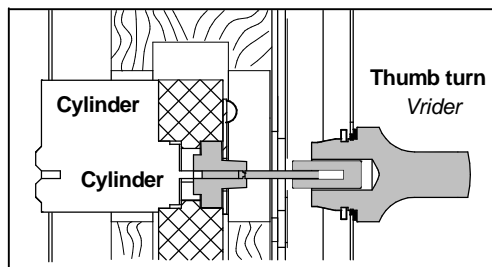
**Turn spline set .
(NOT INCLUDED).**
Medbringer sæt .
(IKKE INKLUDERET).



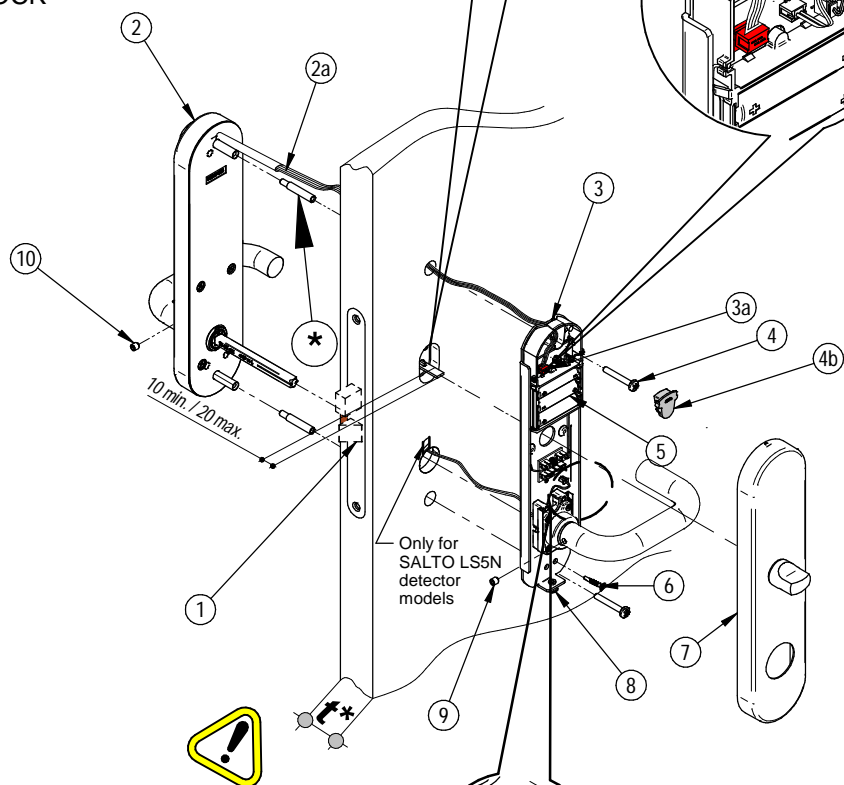
Thumb turn for the inside
Vrider på indvendig side



- HOTEL GUEST ROOM LOCK
- LÅS FOR HOTEL VÆRELSE
- HOTELLIN VIERASHUONE
- HOTELL ENHET



Outside
 Udvendig
 Ulkopuoli
 Utsida



* Required only for doors that exceed 60mm (2-3/8") thickness

* Skal kun anvendes på døre hvor tykkelse er mere end 60mm

Unplug if mortise lock is LS5Nxx series with cable