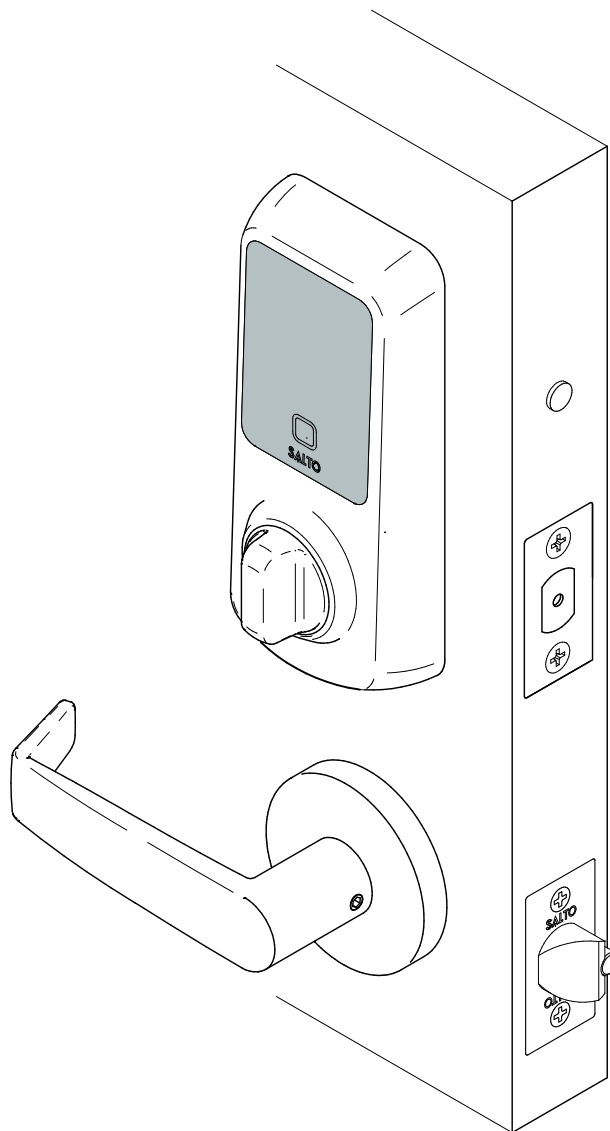


ADDITIONAL INFORMATION

SALTO DBolt Touch IC

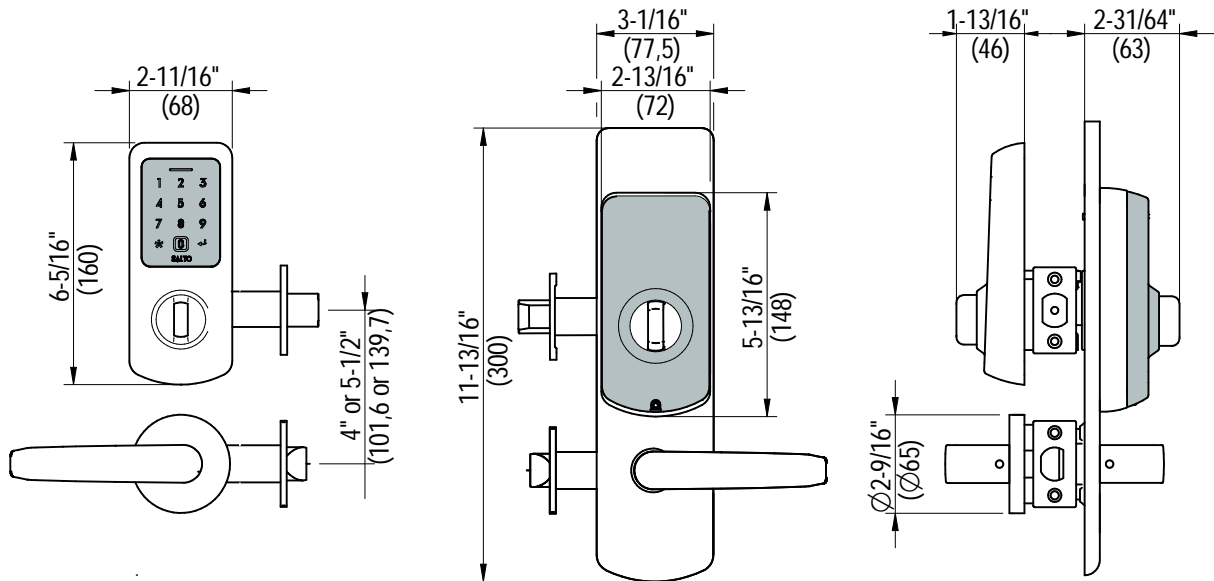
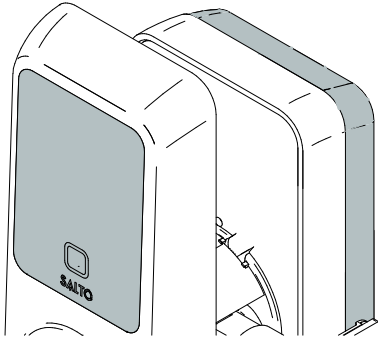


The SALTO DBolt Touch IC is a brand new electronic lock that implements the latest technology and the top level of functionality for multi-family housing and residential markets. The SALTO DBolt Touch offers a retrofit and smart locking solution for upgrading deadbolt mechanical locks in the residential market.

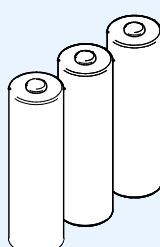
MODEL: ELECTRONIC INFO. DMOM

Copyright © 2024 Salto Systems, S.L.

DMM14xx.. series
DMM15xx.. series



i




x1

AA - LR6
SP01077-10

TORX 20 x2


Outside
Exterior
Extérieure



x1


x2

Inside
Interior
Intérieur



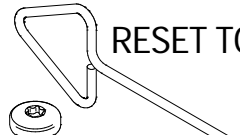
x1

x1




x1


RESET TOOL x1




TORX 10




TORX 20 x1

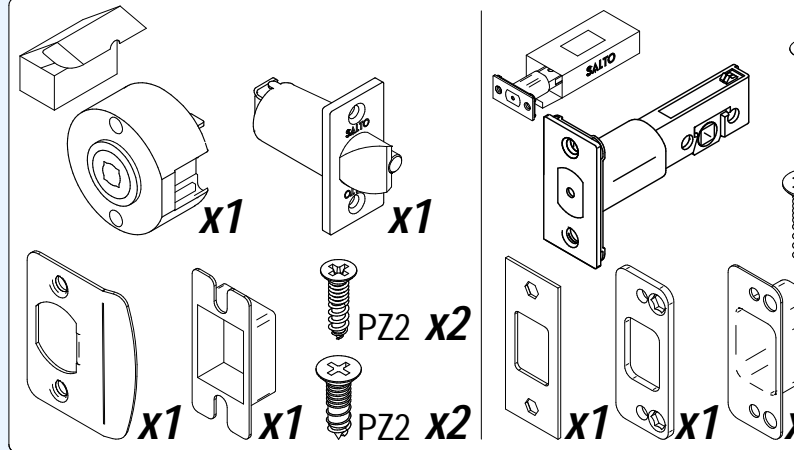


PZ2 x3



TORX 20 x4

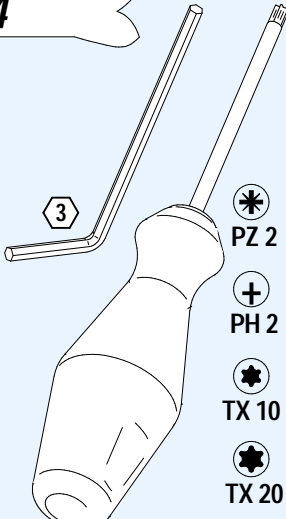








x1 **x1** **x1** **x1** **x1** **x1** **x1** **x1** **x1** **x1**

PZ2 x2 **PZ2 x2**

PH2 x2 **PH2 x4**



3

-  **PZ 2**
-  **PH 2**
-  **TX 10**
-  **TX 20**



Paired!

The inside and outside esutcheons are paired, and will not work if you switch it in a different inside or outside escutcheon.

Les ensembles plaque-béquilles intérieurs et extérieurs sont appariés et ne fonctionneront pas si jamais ils sont connectés à d'autres ensembles différents.

Los esudos interior y exterior están emparejados, y no funcionarán si los conecta a un escudo interior o exterior diferente.

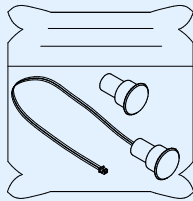
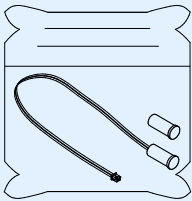


i

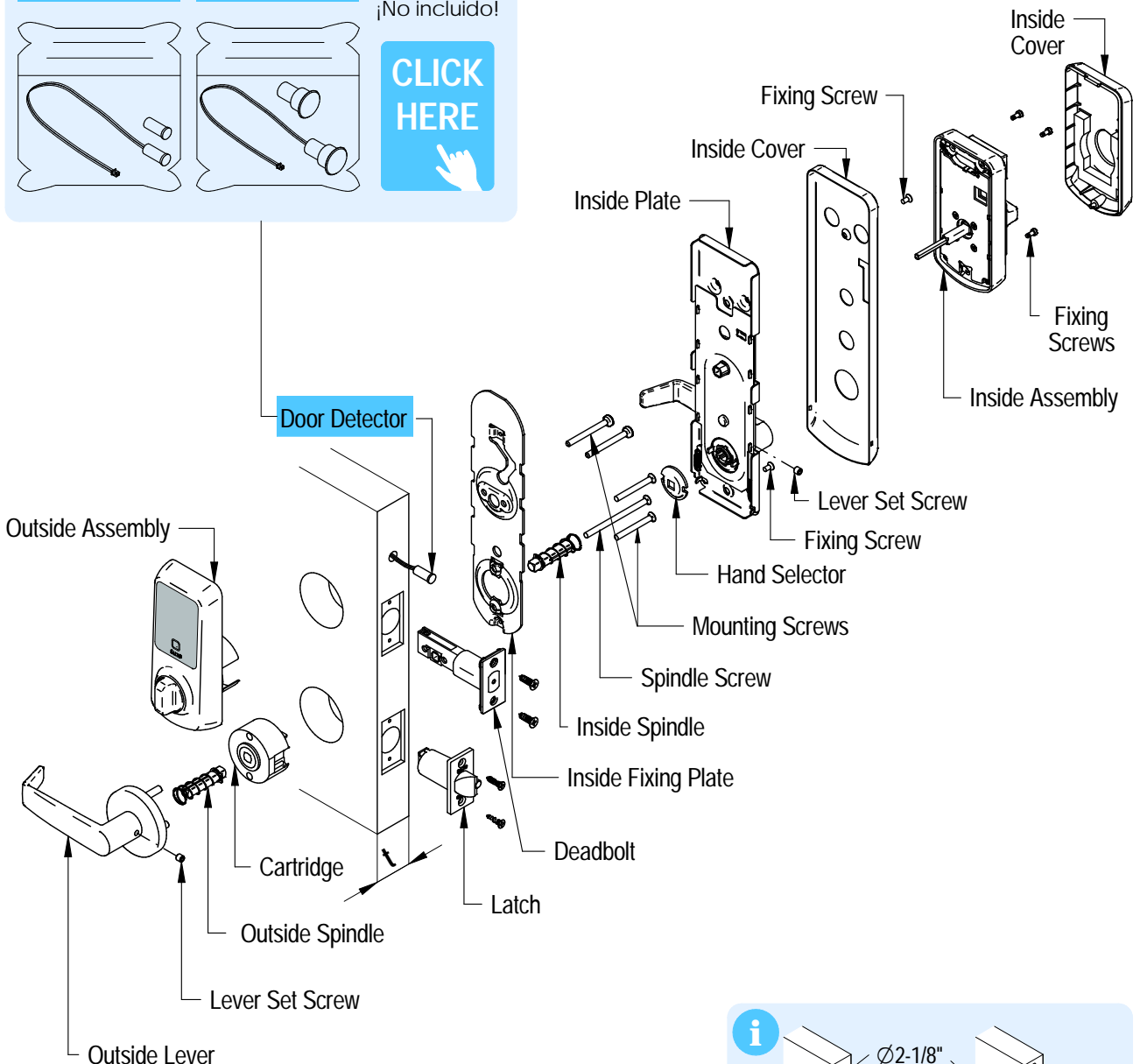
WOOD DOORS
RFDCTW30W01

STEEL DOORS
RFDCTS30W01

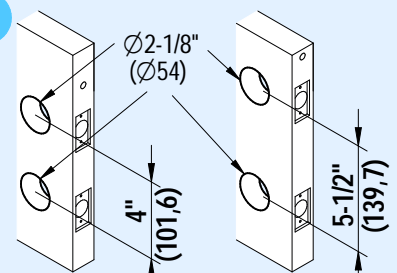
Not included!
Non inclus!
¡No incluido!



**CLICK
HERE**



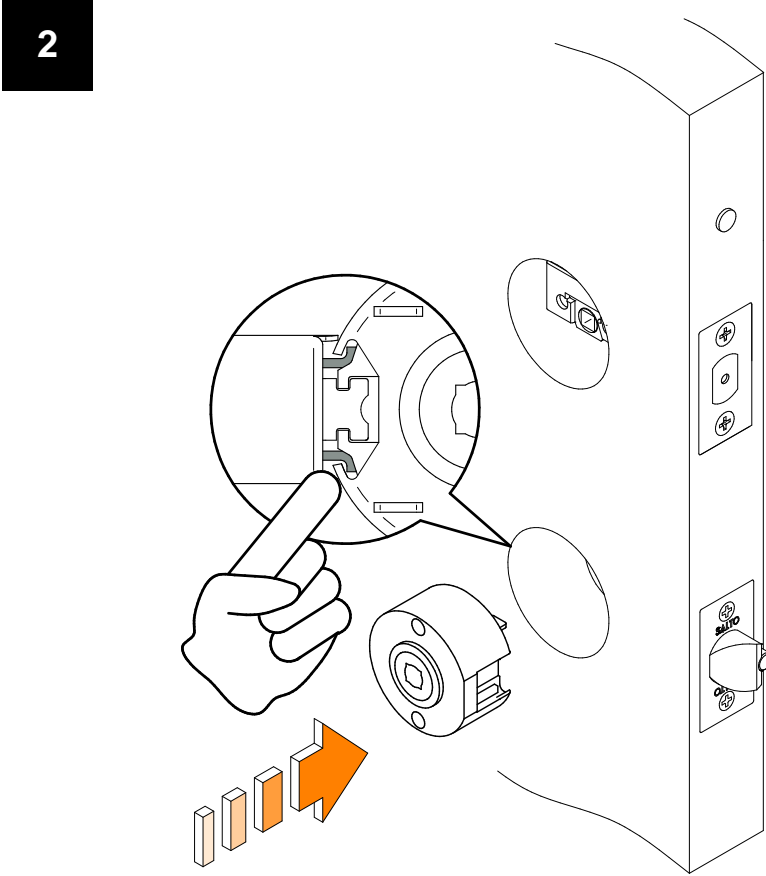
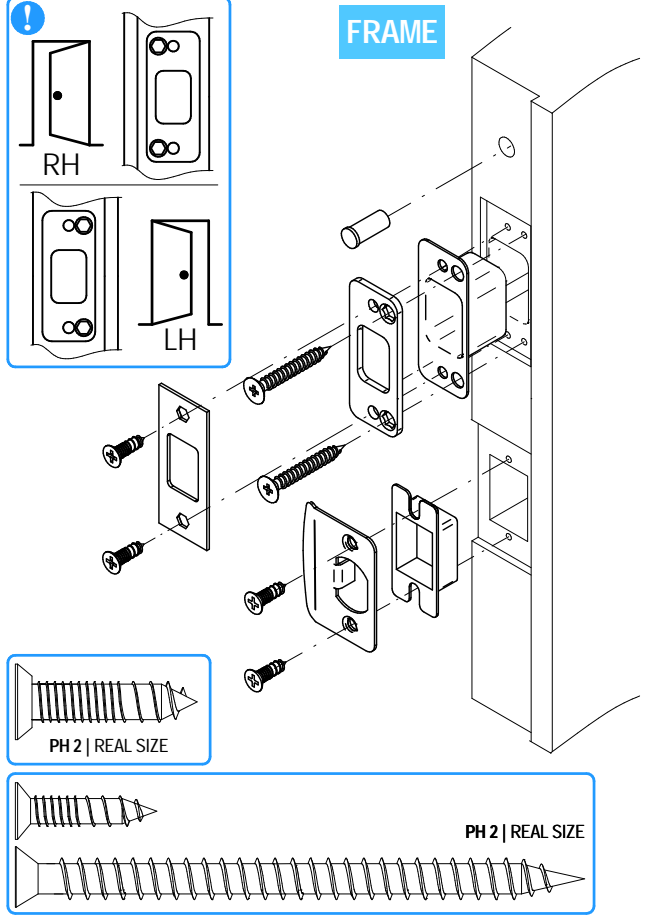
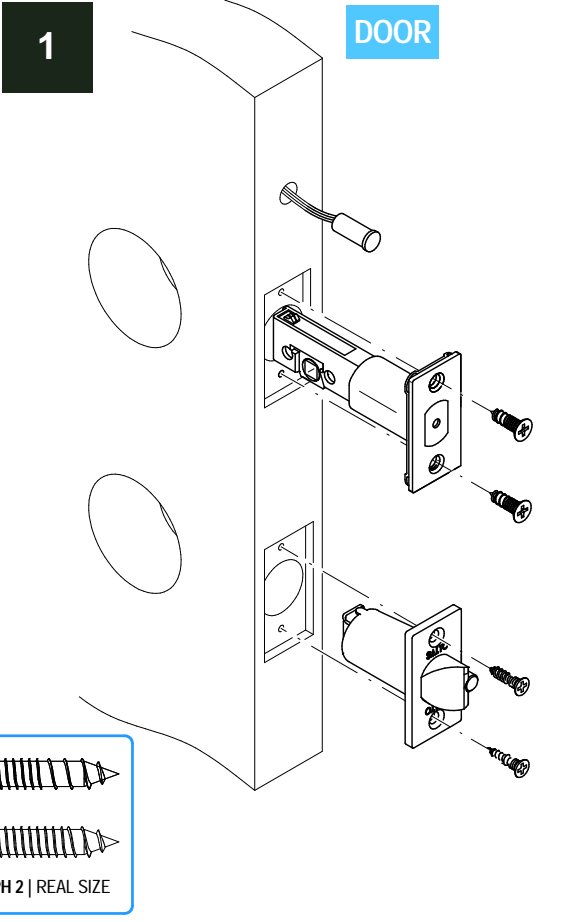
i



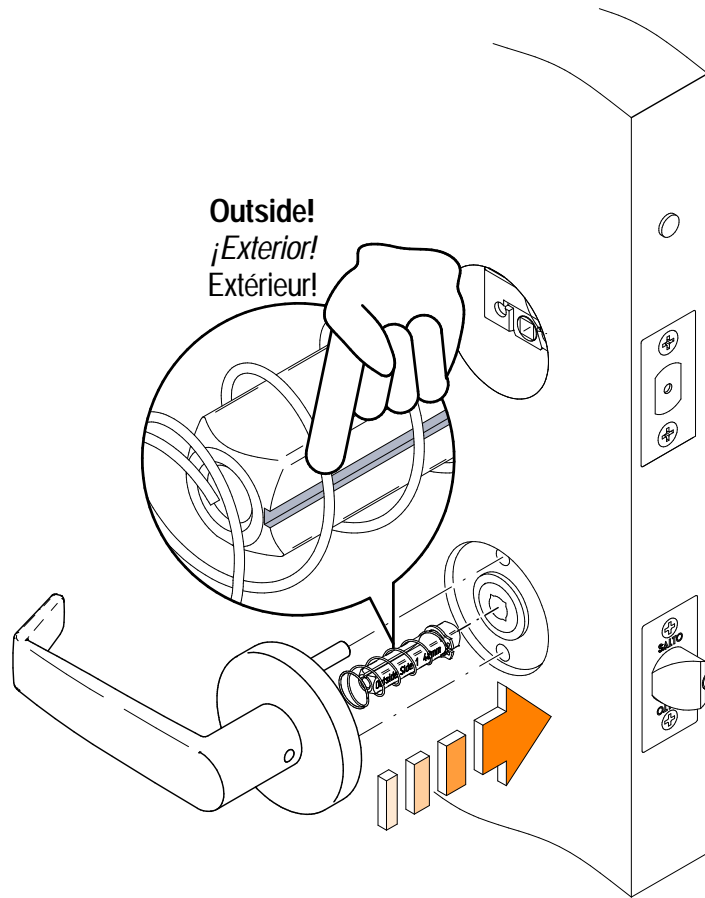
DMM14xx..

DMM15xx..

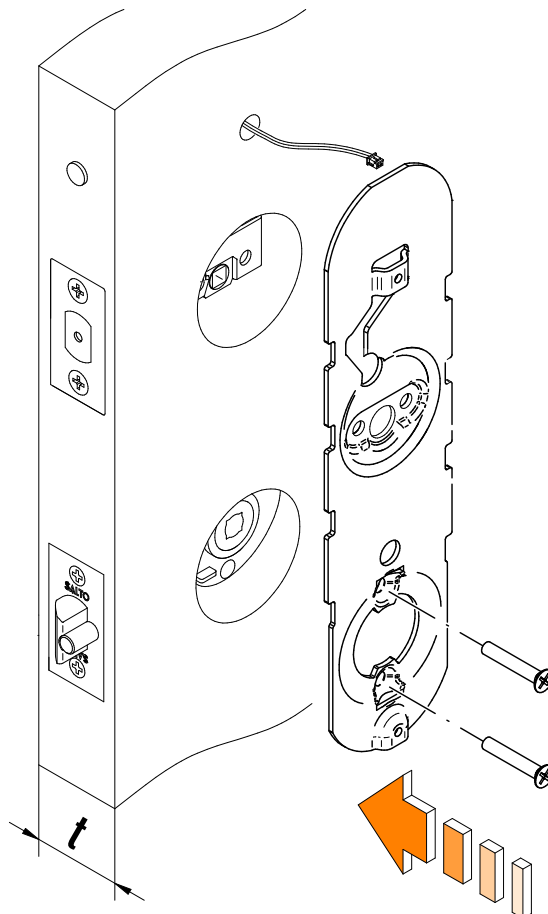
Eng Installation E Instalación F Installation



3



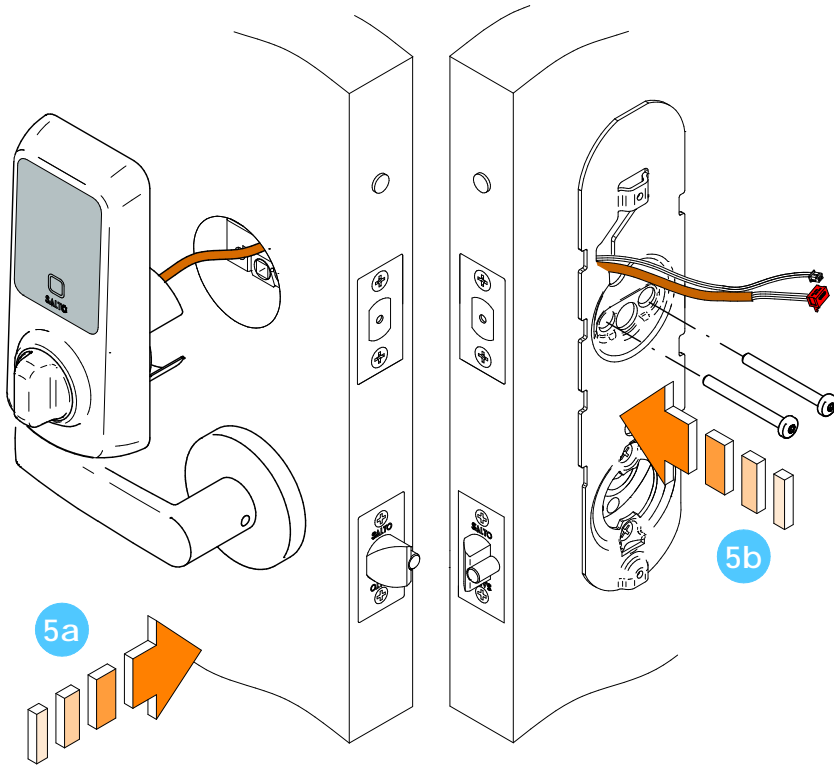
4



i

| t Door thickness | L |
|------------------------------------|---------------------|
| 1-9/16" - 1-3/4" (40 - 45 mm) | 1-9/16" (40 mm) |
| 1-3/4" - 1-31/32" (45 - 50 mm) | |
| 1-31/32" - 2-3/16" (50 - 55 mm) | |
| 2-3/16" - 2-3/8" (55 - 60 mm) | 1-31/32" (50 mm) |
| 2-3/8" - 2-9/16" (60 - 65 mm) | |
| 2-9/16" - 2-3/4" (65 - 70 mm) | 2-3/8" (60 mm) |
| 2-3/4" - 2-15/16" (70 - 75 mm) | |
| 2-15/16" - 3-5/32" (75 - 80 mm) | 2-15/16" (75 mm) |
| 3-5/32" - 3-11/32" (80 - 85 mm) | |

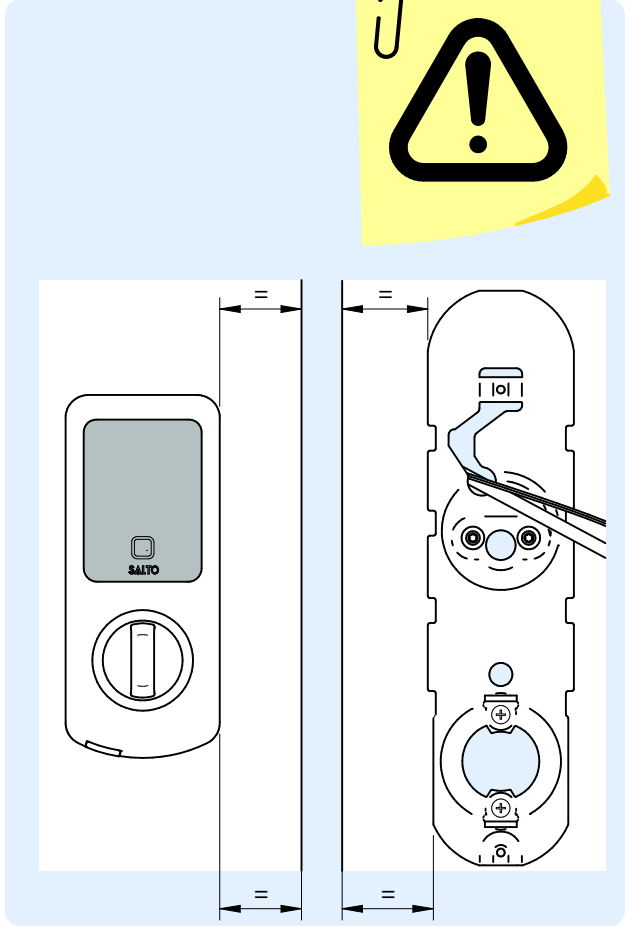
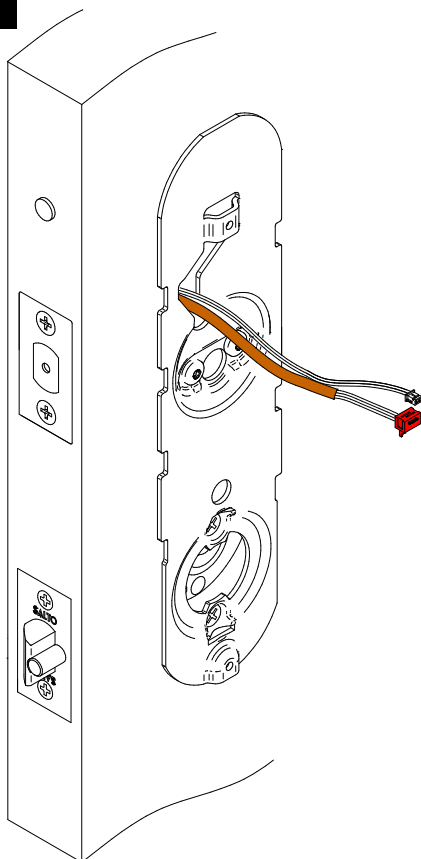
5



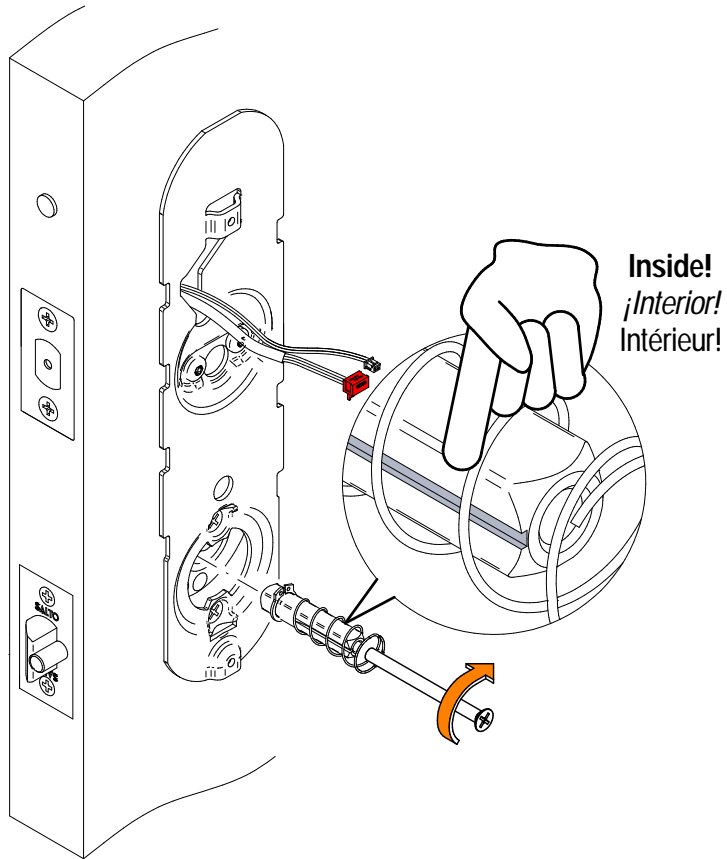
i

| t Door thickness | L |
|------------------------------------|---------------------|
| 1-9/16" - 1-3/4" (40 - 45 mm) | 1-31/32" (50 mm) |
| 1-3/4" - 1-31/32" (45 - 50 mm) | 2-3/16" (55 mm) |
| 1-31/32" - 2-3/16" (50 - 55 mm) | 2-3/8" (60 mm) |
| 2-3/16" - 2-3/8" (55 - 60 mm) | 2-9/16" (65 mm) |
| 2-3/8" - 2-9/16" (60 - 65 mm) | 2-3/4" (70 mm) |
| 2-9/16" - 2-3/4" (65 - 70 mm) | 2-15/16" (75 mm) |
| 2-3/4" - 2-15/16" (70 - 75 mm) | 3-5/32" (80 mm) |
| 2-15/16" - 3-5/32" (75 - 80 mm) | 3-11/32" (85 mm) |
| 3-5/32" - 3-11/32" (80 - 85 mm) | 3-9/16" (90 mm) |

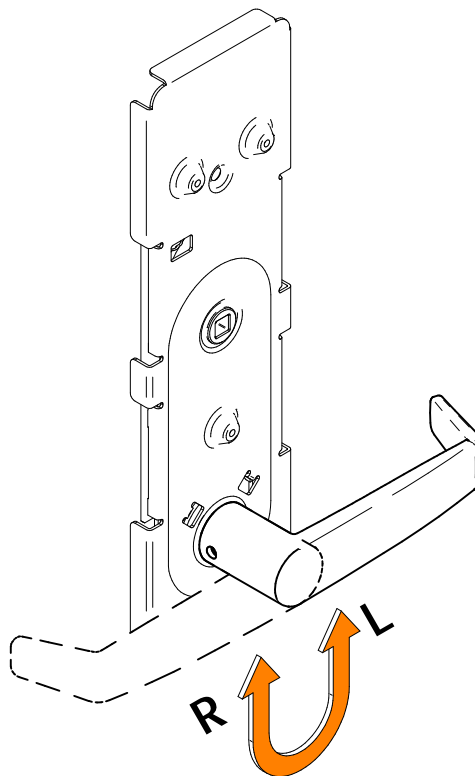
6



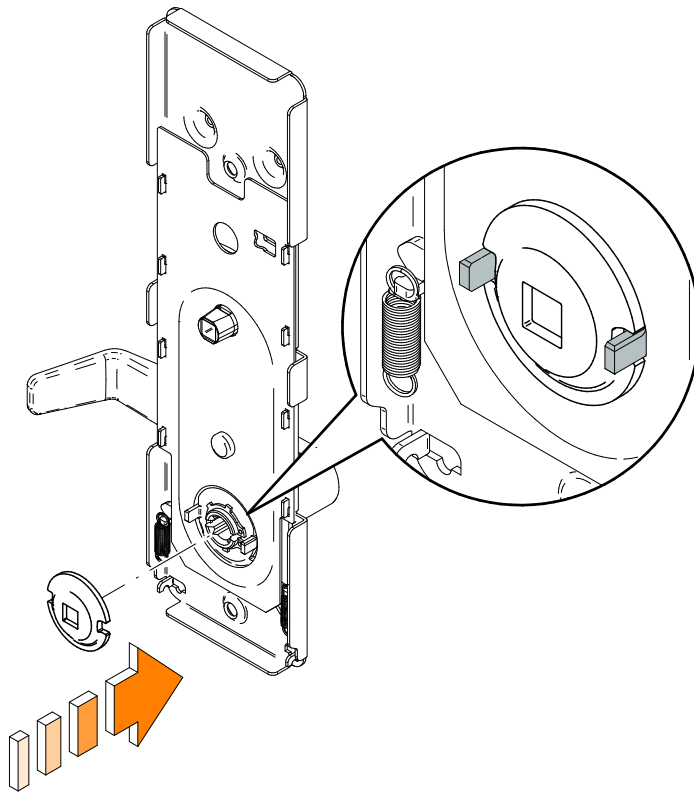
7



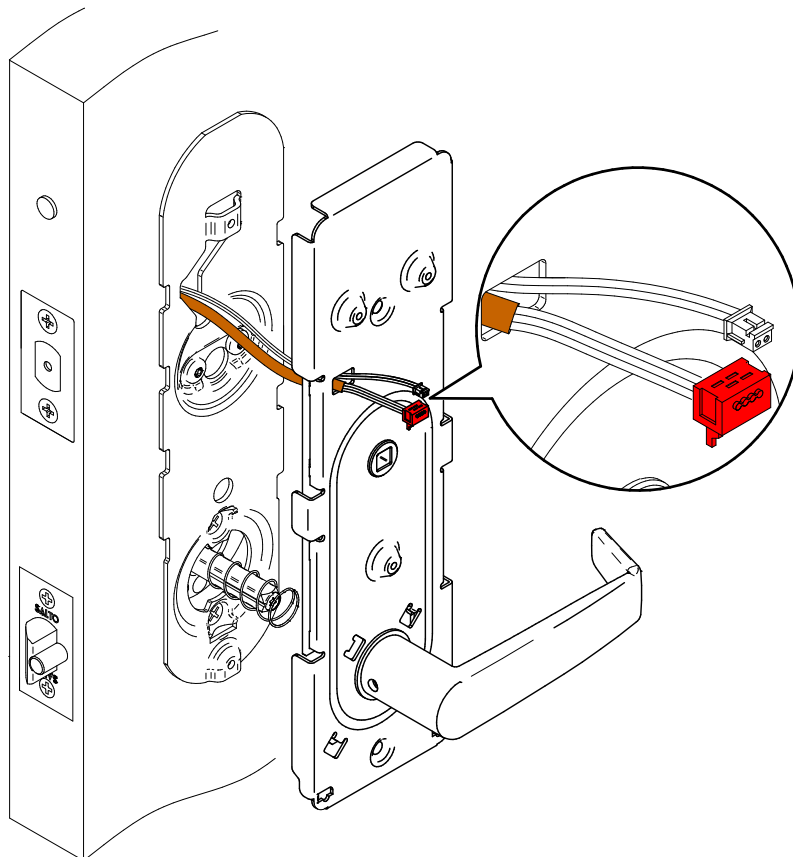
8



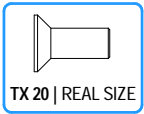
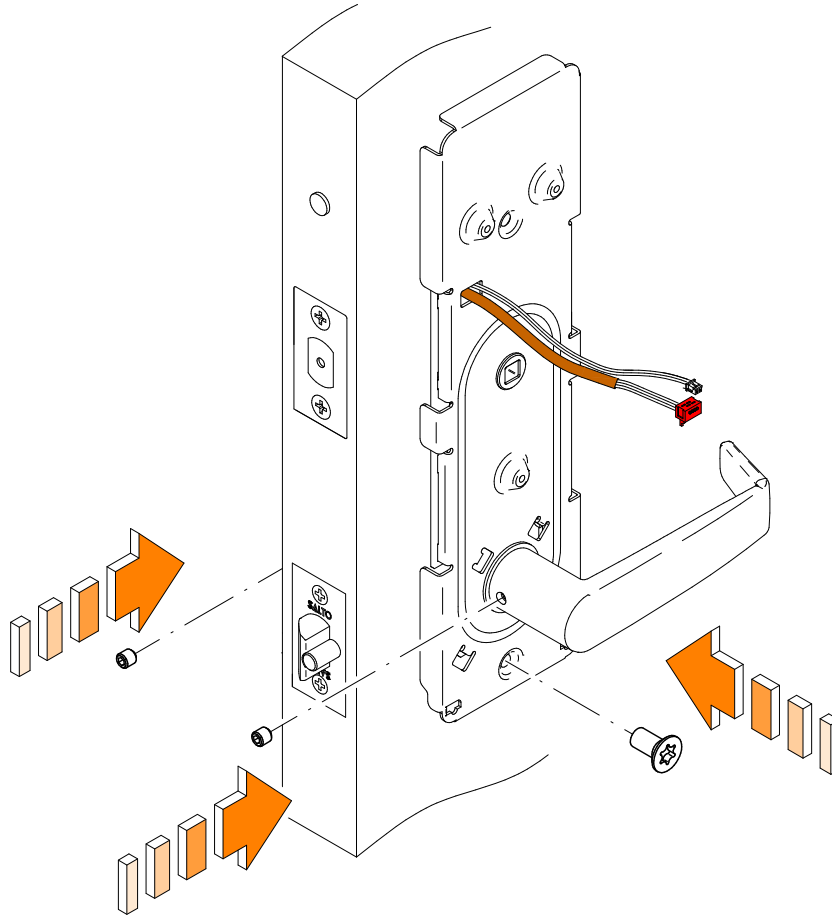
9



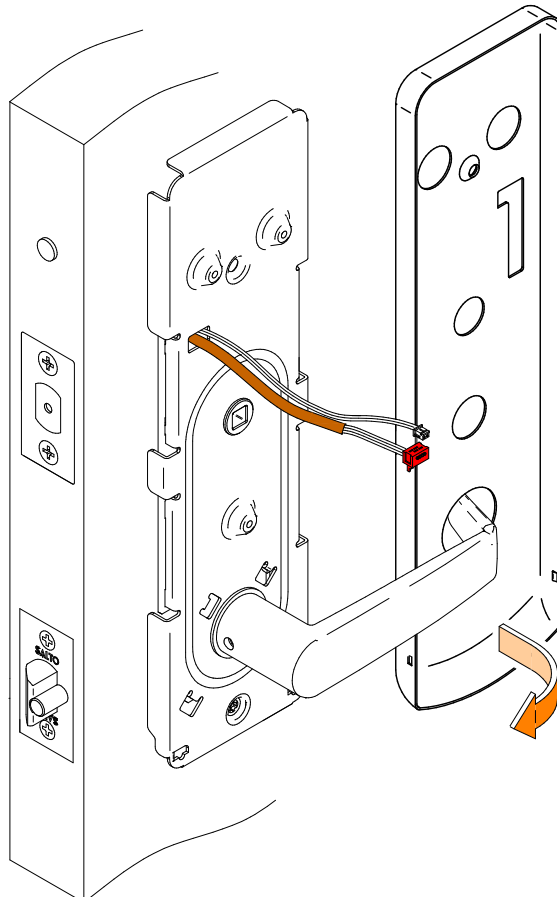
10



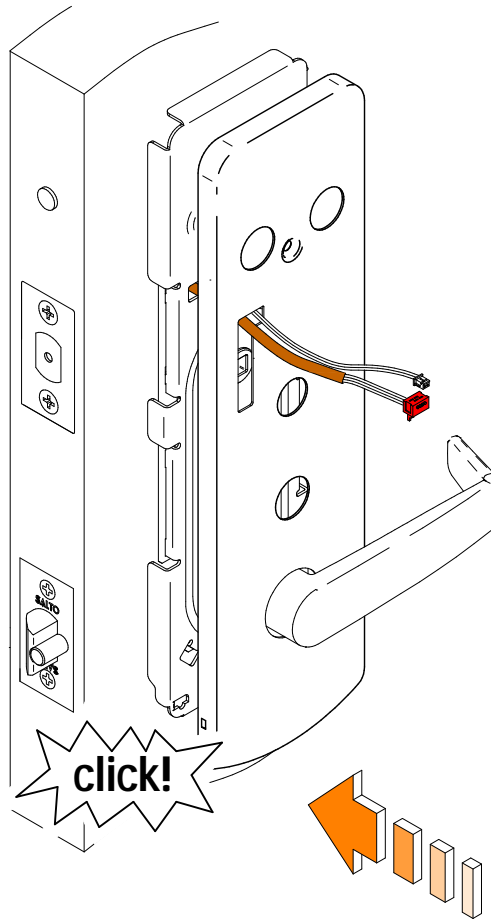
11



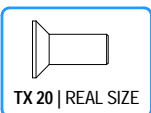
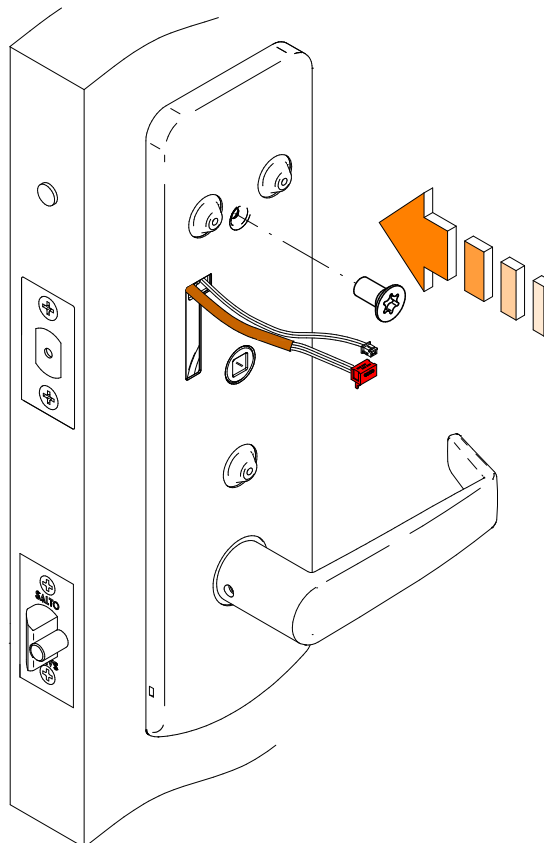
12



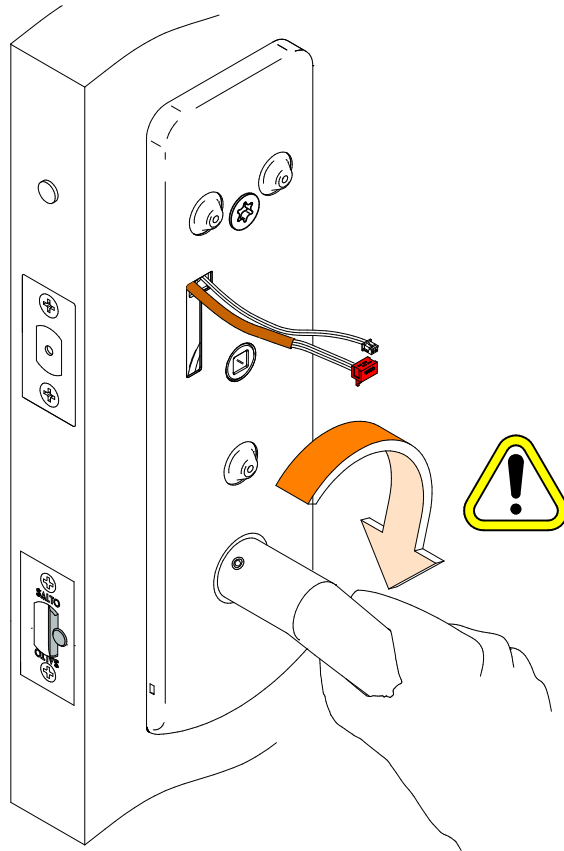
13



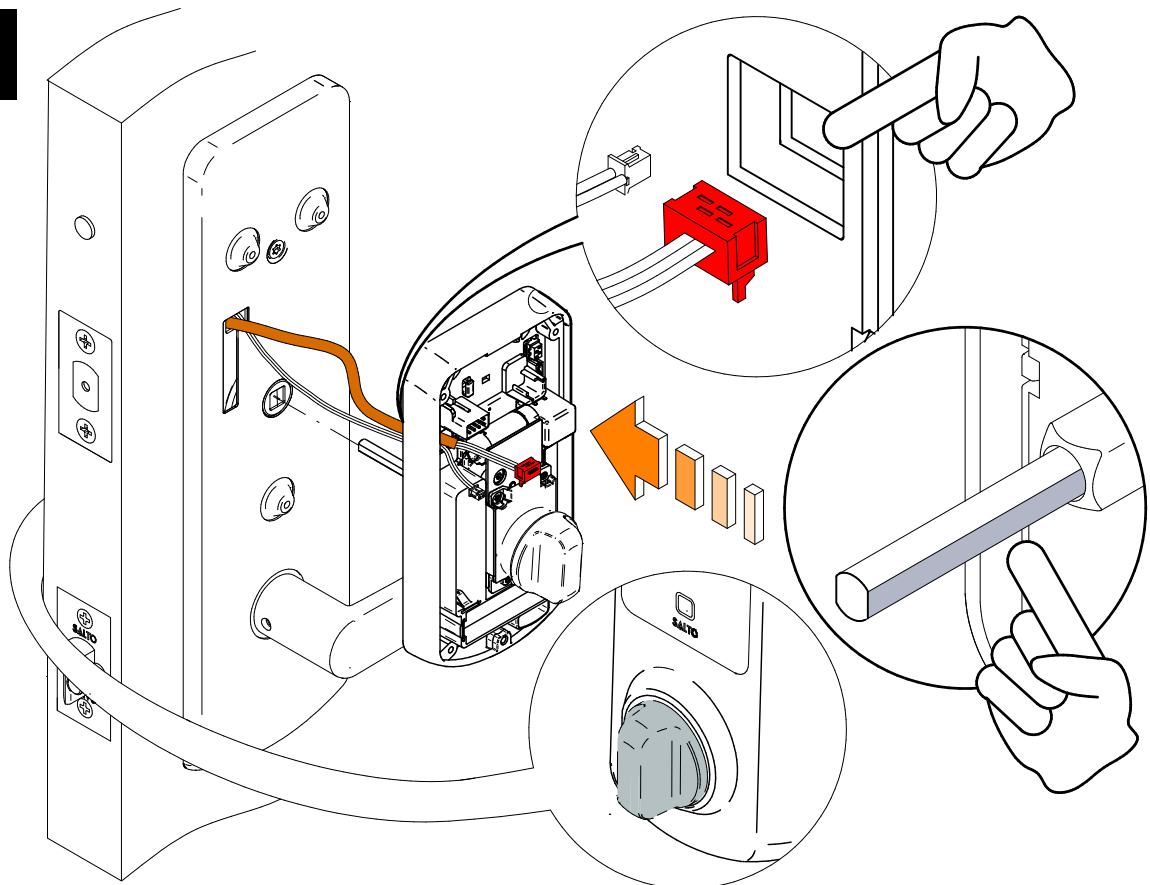
14



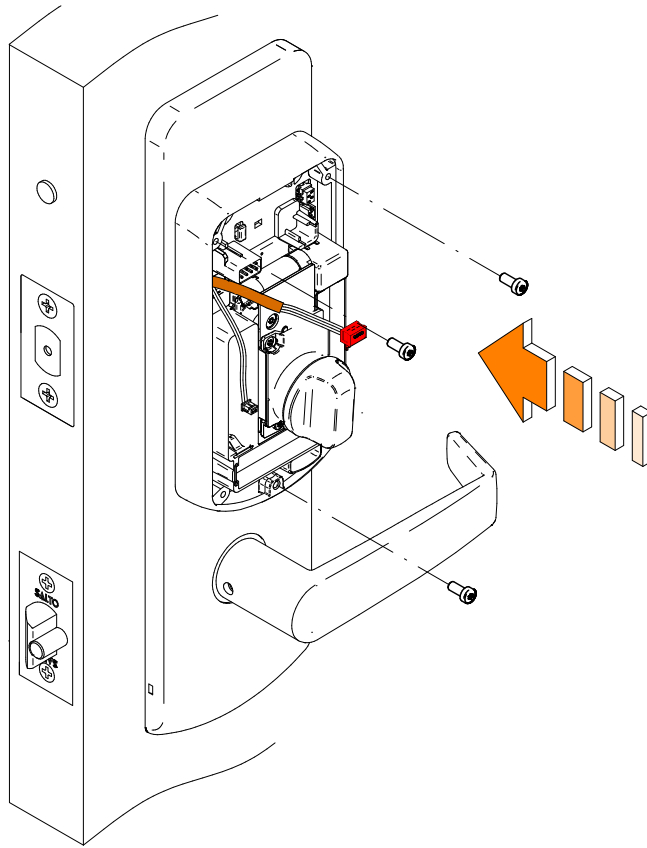
15



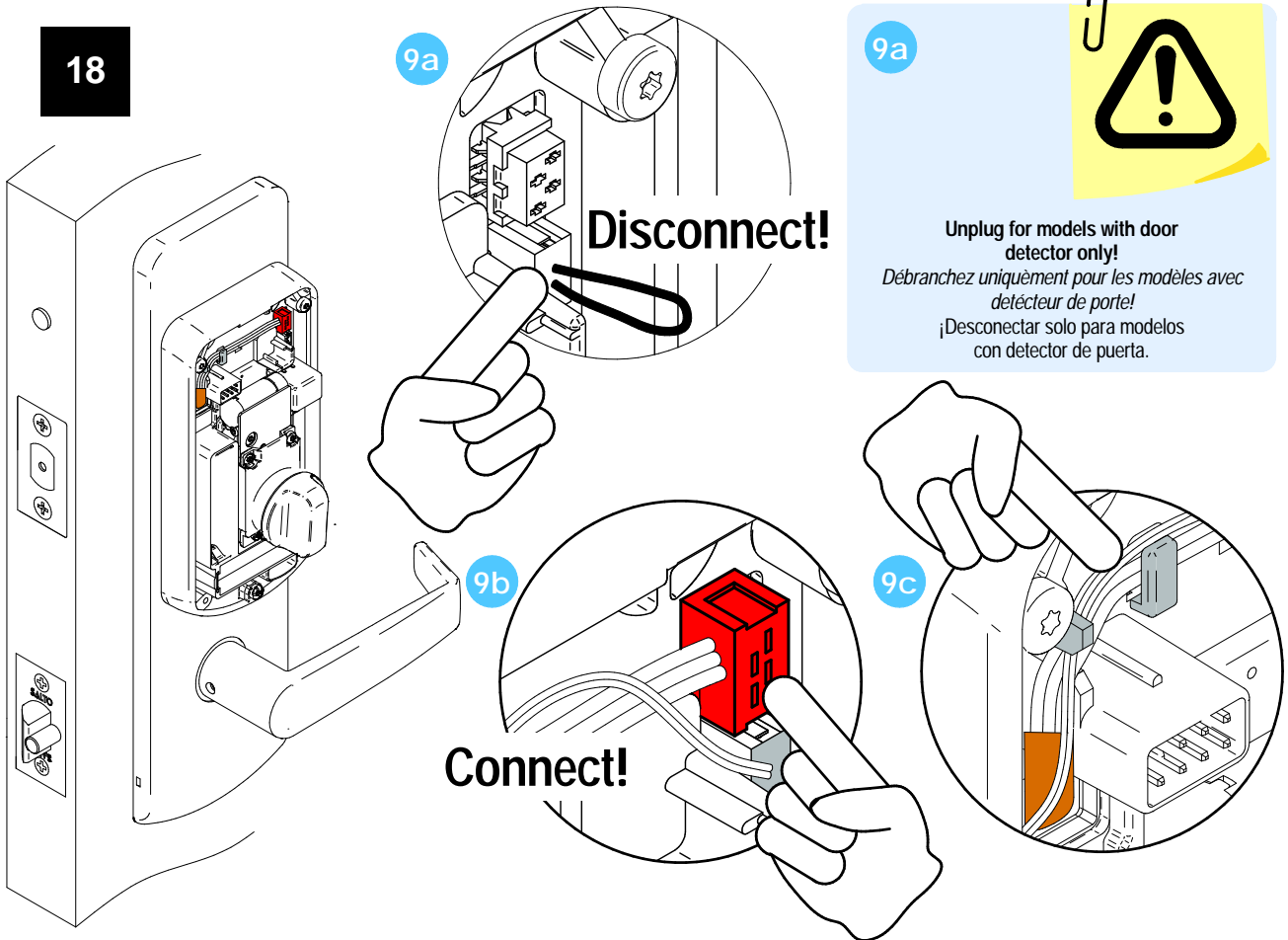
16



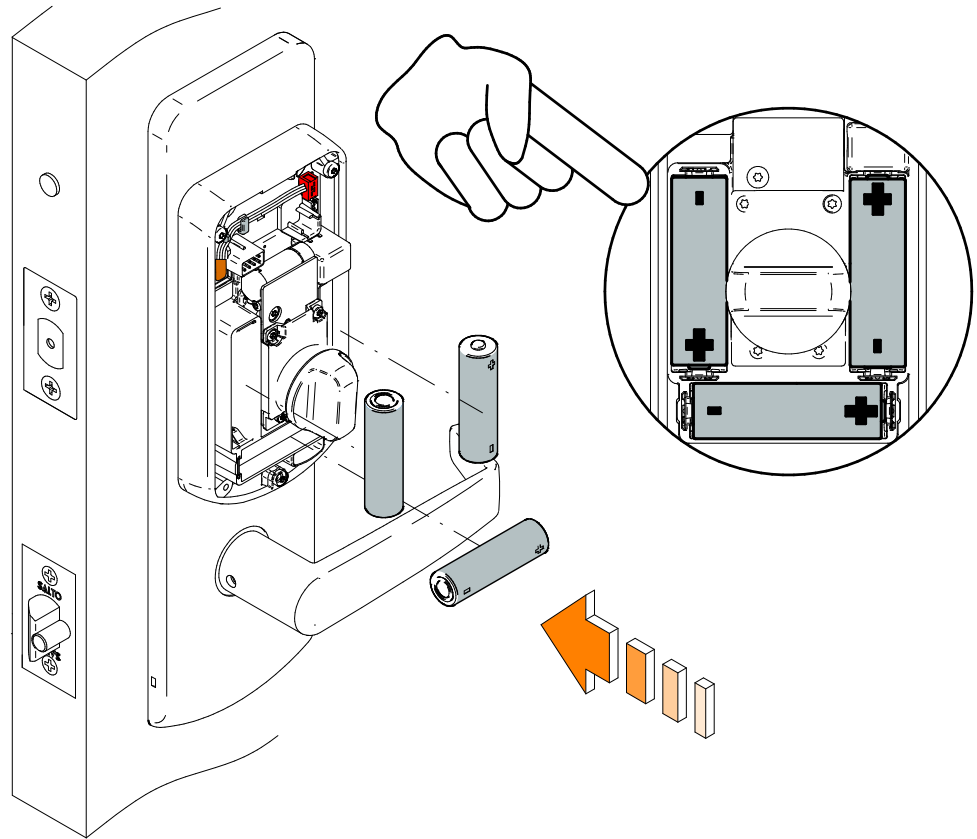
17



18



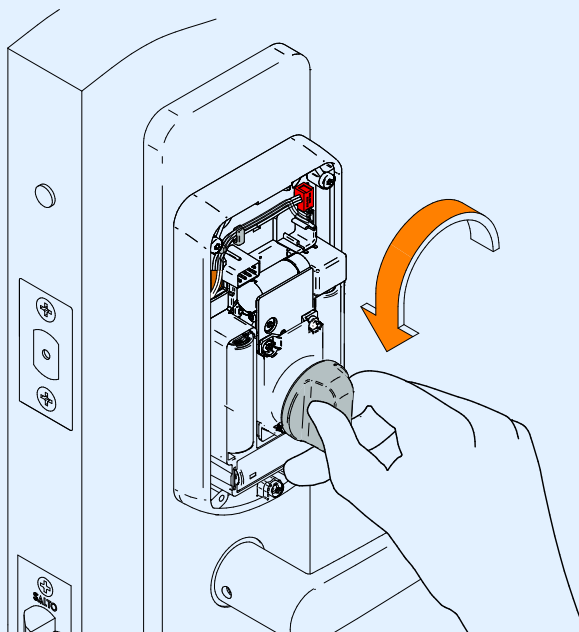
19



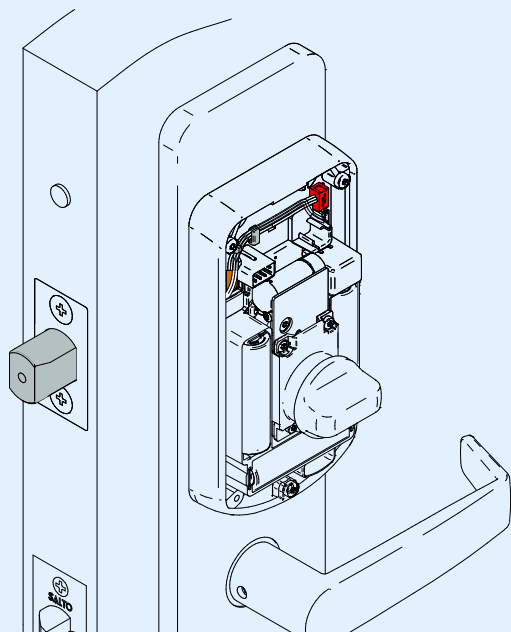
20

HANDING SET UP
DÉFINITION DU SENS D'OUVERTURE
CONFIGURACIÓN DE MANO

20a



20b

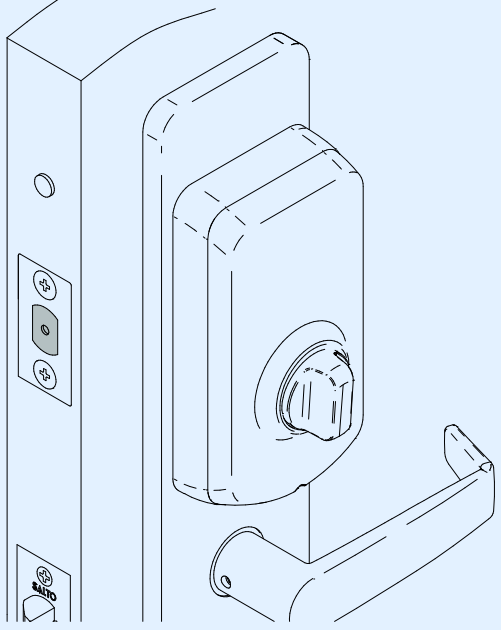
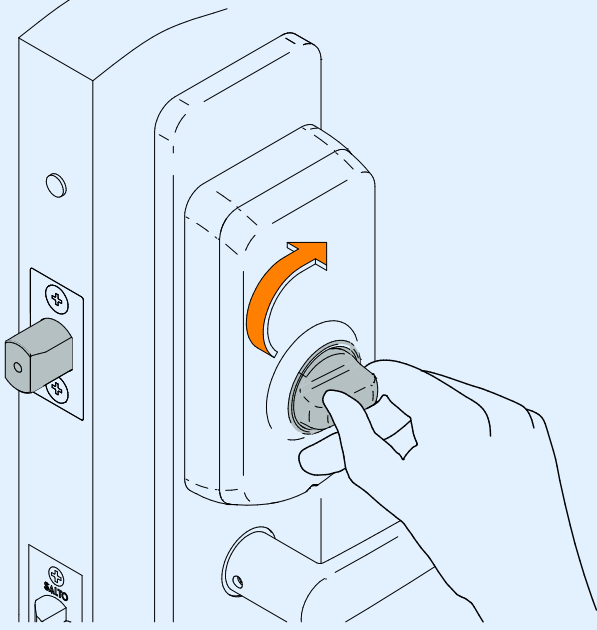


21

HANDING SET UP
DÉFINITION DU SENS D'OUVERTURE
CONFIGURACIÓN DE MANO

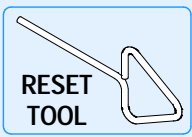
21a

21b



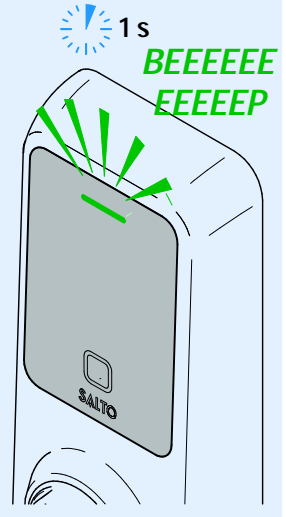
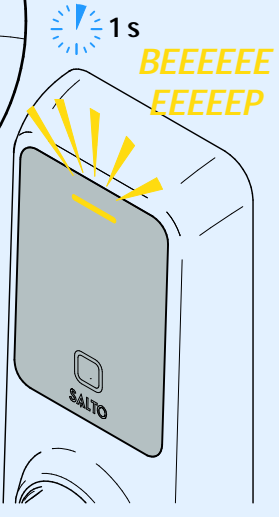
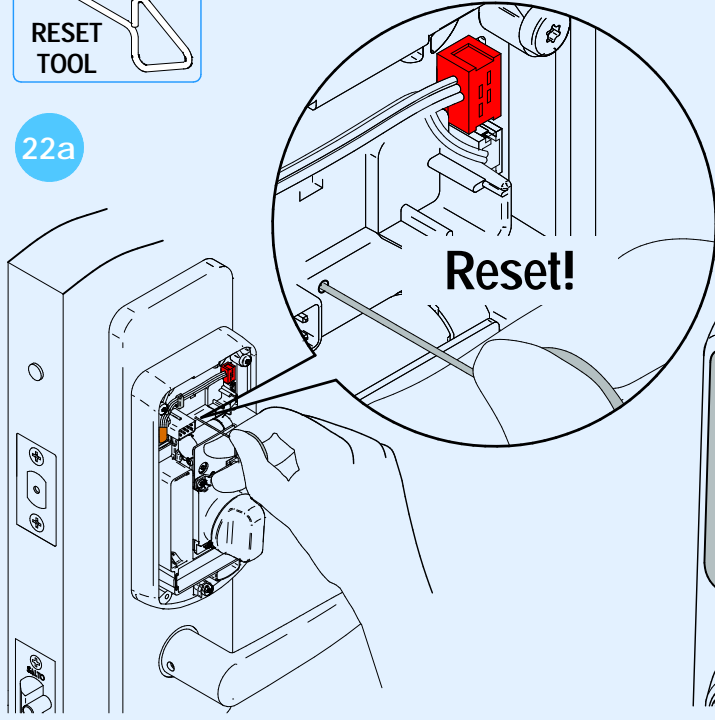
22

HANDING SET UP
DÉFINITION DU SENS D'OUVERTURE
CONFIGURACIÓN DE MANO

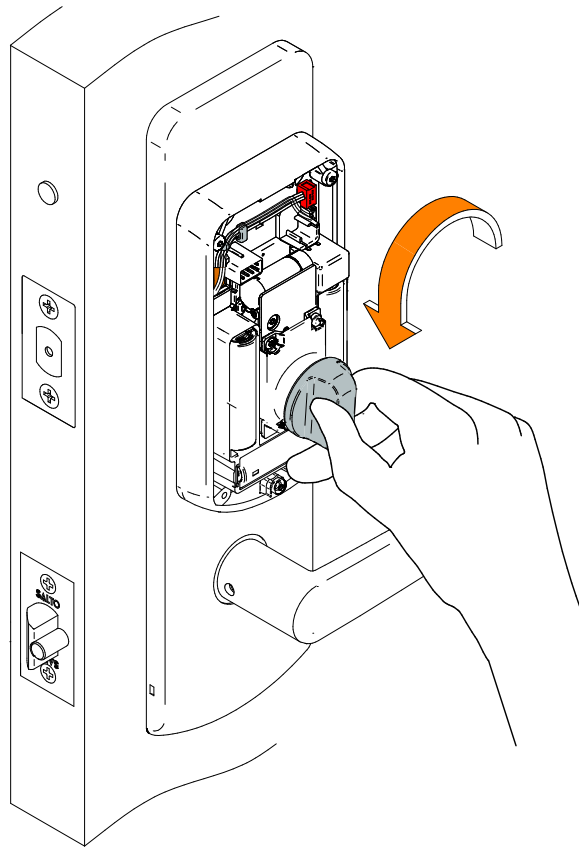


22a

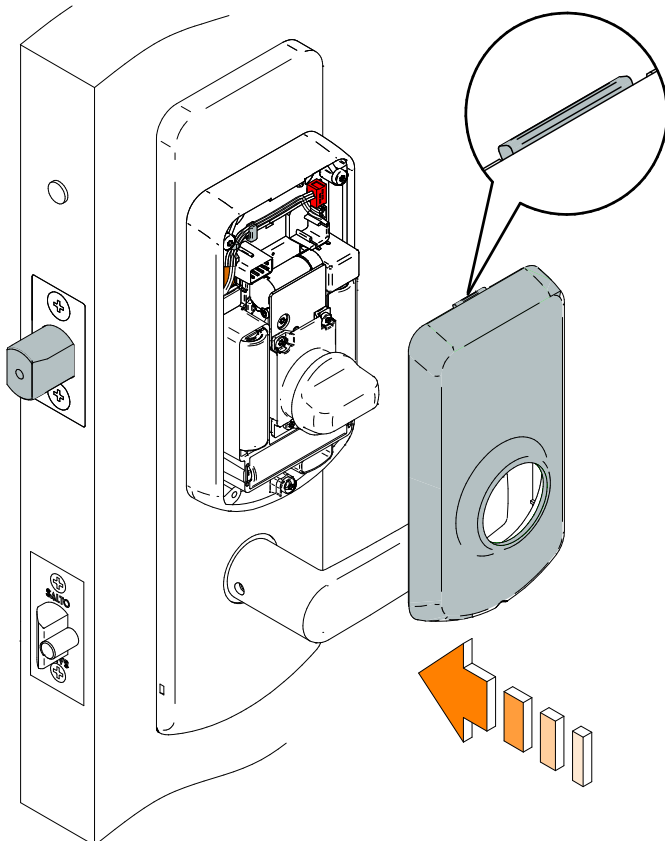
22b



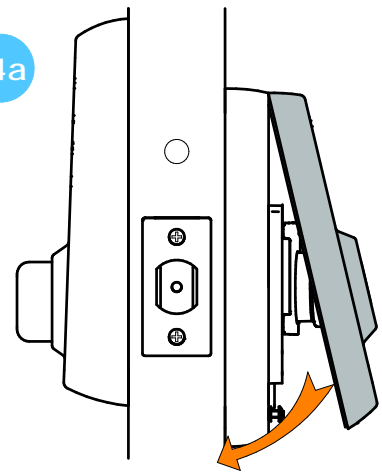
23



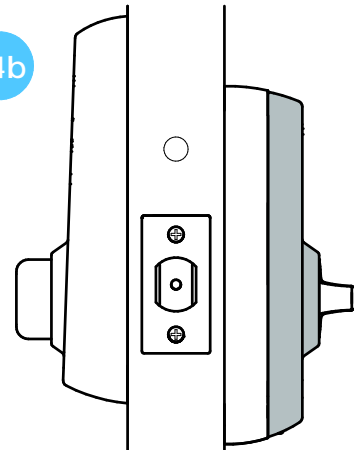
24



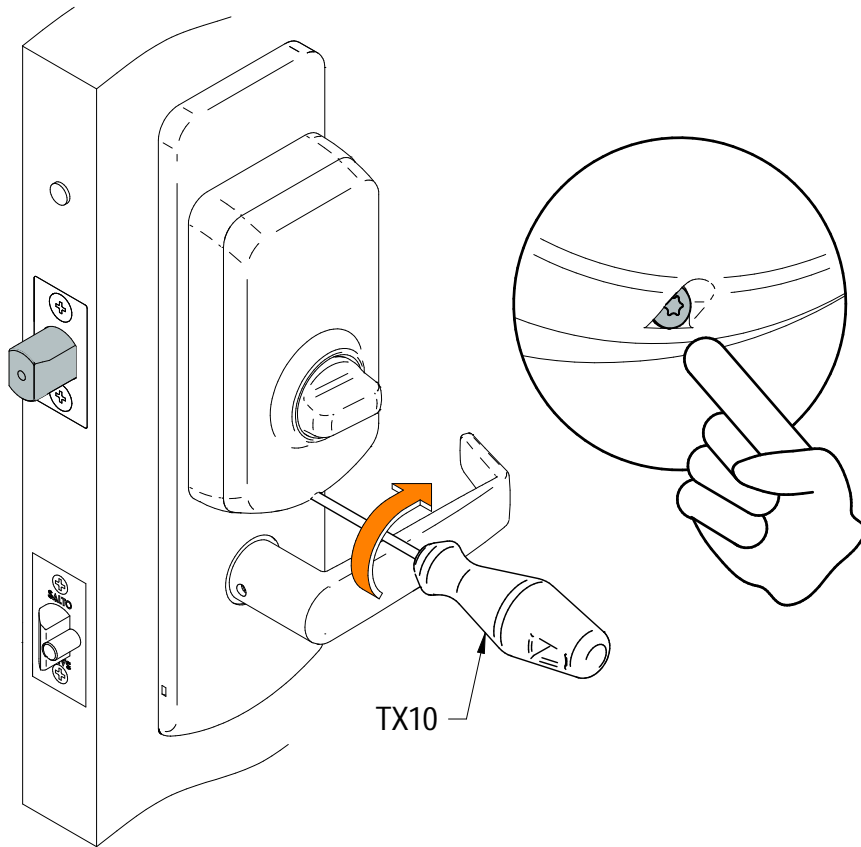
24a



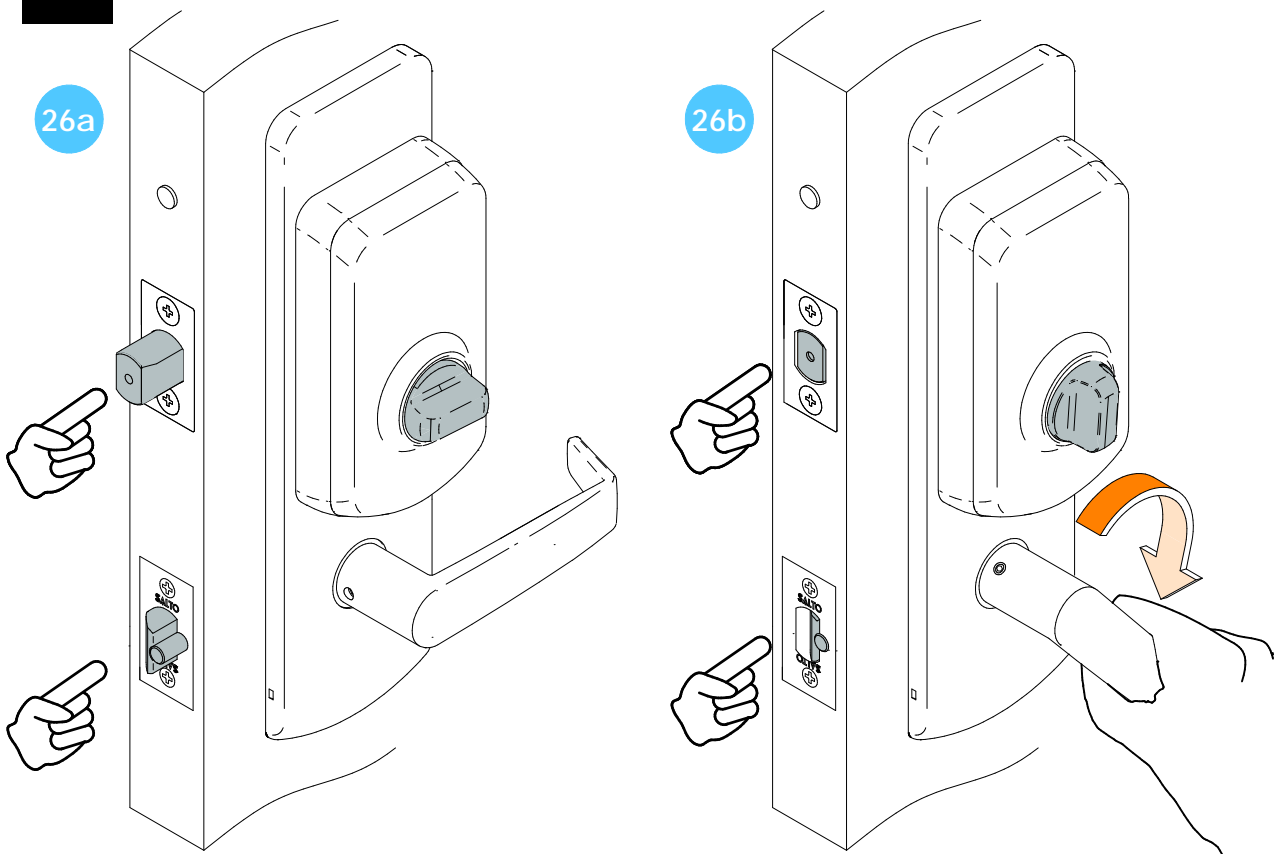
24b



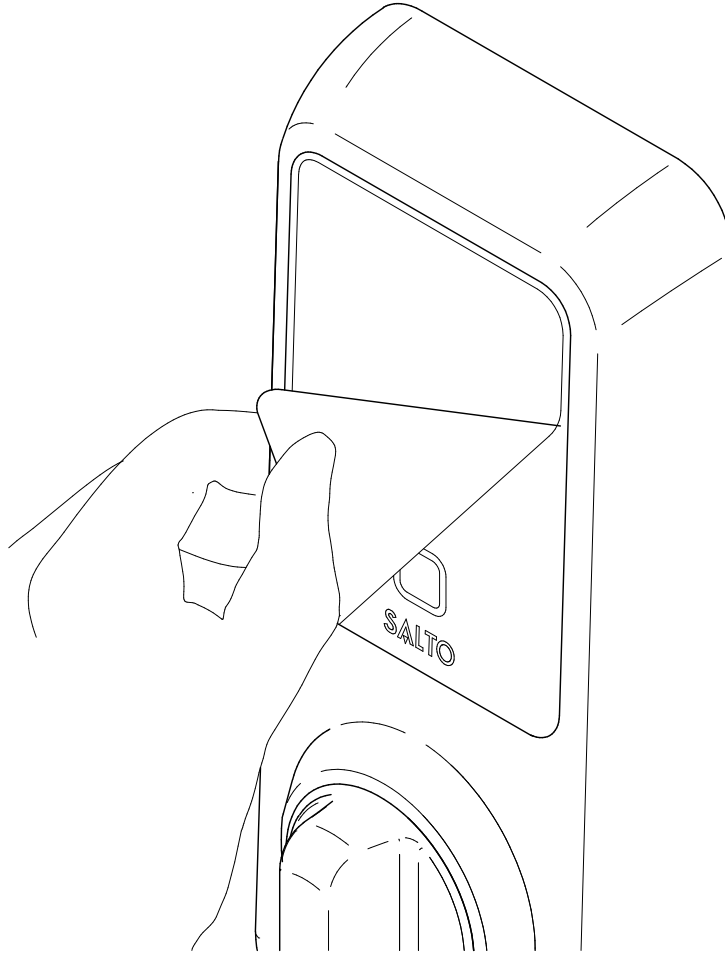
25



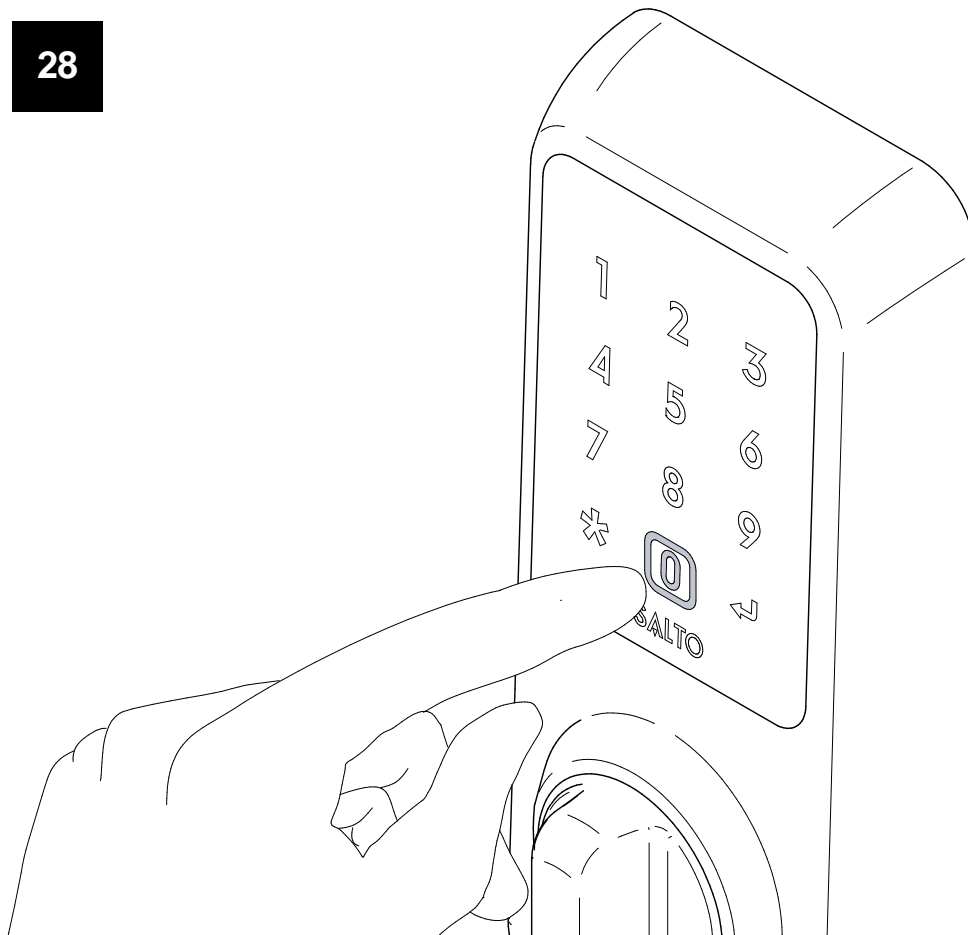
26



27

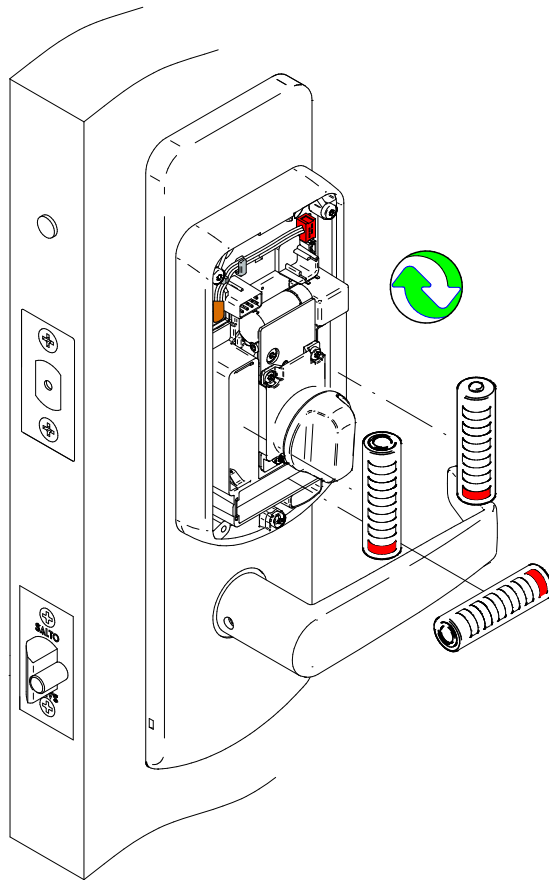


28

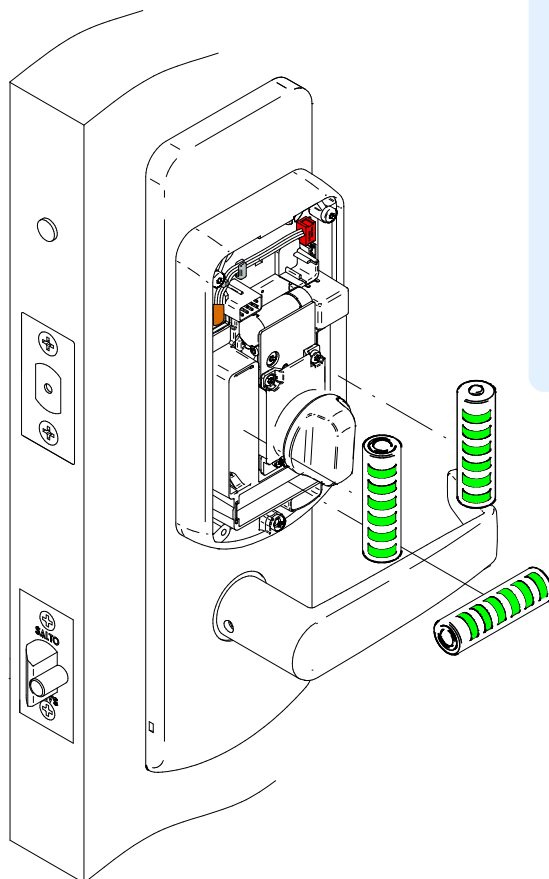




Eng Battery replacement E Remplacer les piles F Sustitución de pilas

1

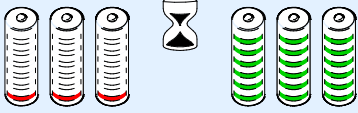


2



MAX.40"



Change/Remplacer/Cambio

Eng Emergency opening E Ouverture d'urgence F Apertura de emergencia

