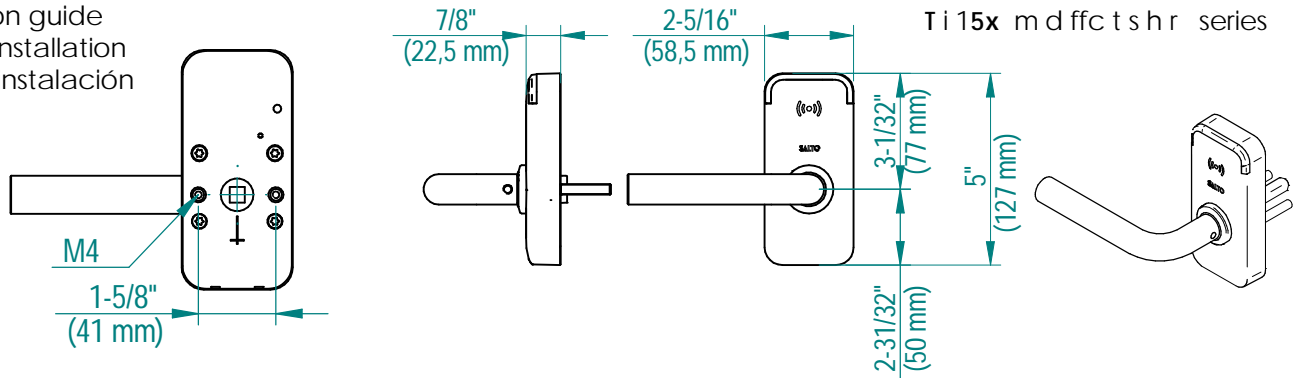


Installation guide

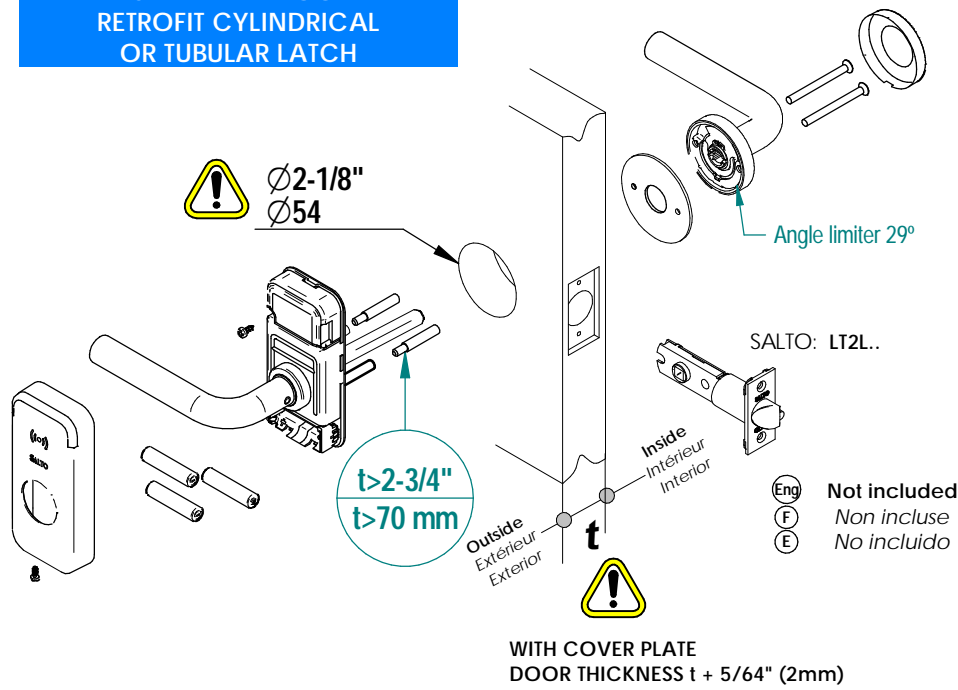
XS4 Mini for tubular latch

- Eng Installation guide
- F Guide d'installation
- E Guía de instalación



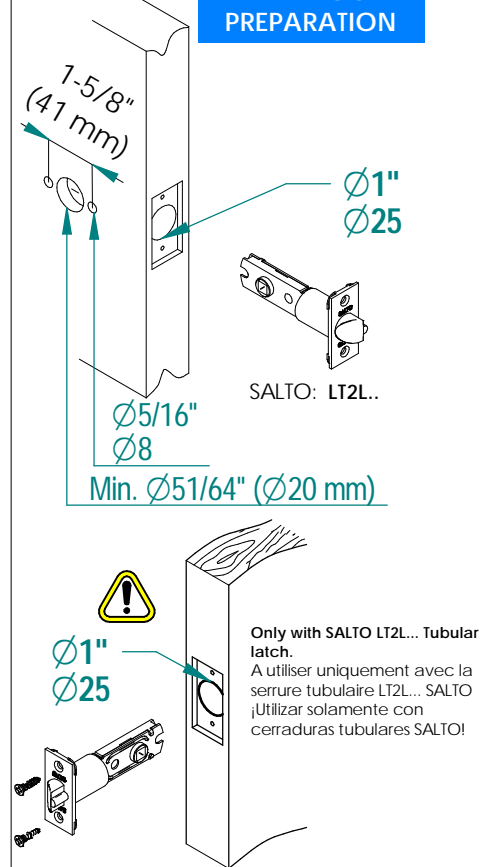
Ti 15x m d f f c t s h r series

STANDARD DOOR RETROFIT CYLINDRICAL OR TUBULAR LATCH

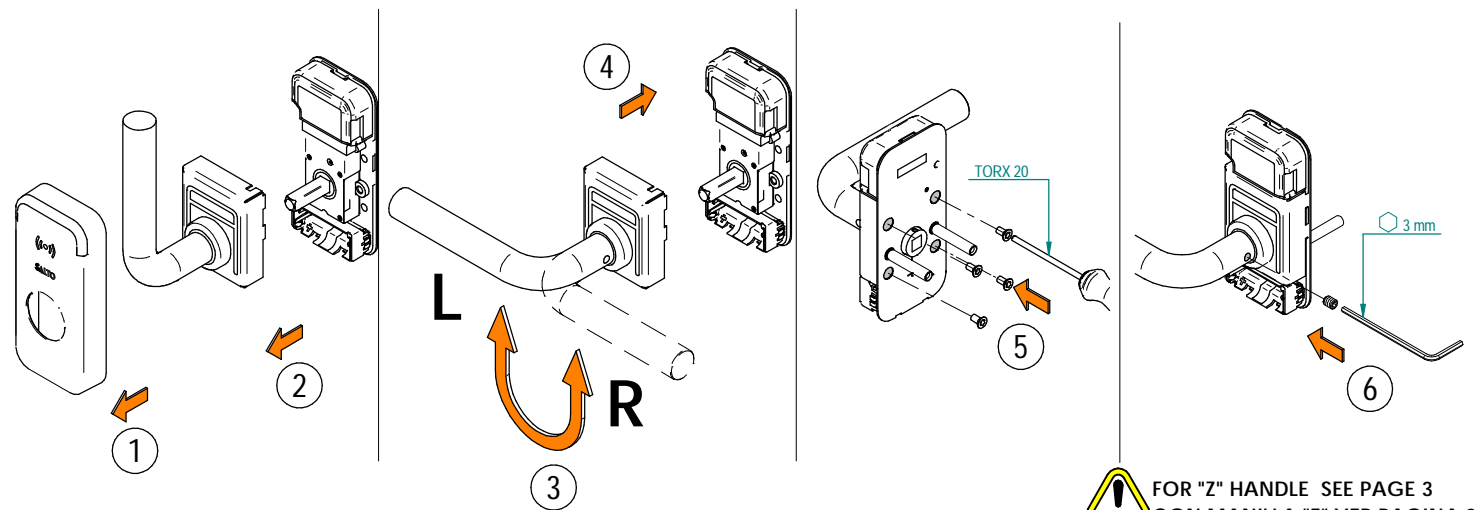


Not included
Non incluse
No incluido

NEW DOOR PREPARATION



Eng SELECT HANDING F CHOISIR LE SENS DE LA POIGNÉE E SELECCIONE MANO



Installation guide

XS4 Mini for tubular latch

SALTO
inspiredaccess

Eng Installation **F** Installation **E** Instalación

A

MAX. \varnothing 2-1/8" (\varnothing 54 mm)

E

NOT OK

FOR "Z" HANDLE SEE PAGE 3
CON MANILLA "Z" VER PAGINA 3

B

F

LR03 AAA

C

G

D

* WITH COVER PLATE
DOOR THICKNESS $t + 5/64"$ (2mm)

PH2

*Only for retrofit

H

click!

TORX 10

Eng AT THIS POINT DO NOT
CLOSE THE DOOR
PROGRAM THE LOCK FIRST

F NE FERMEZ PAS LA PORTE.
PROGRAMMEZ LA BÉQUILLE
AVANT

E NO CIERRE LA PUERTA.
PROGrame LA CERRADURA

Eng Battery change **F** Remplacer les piles **E** Sustitución de las pilas

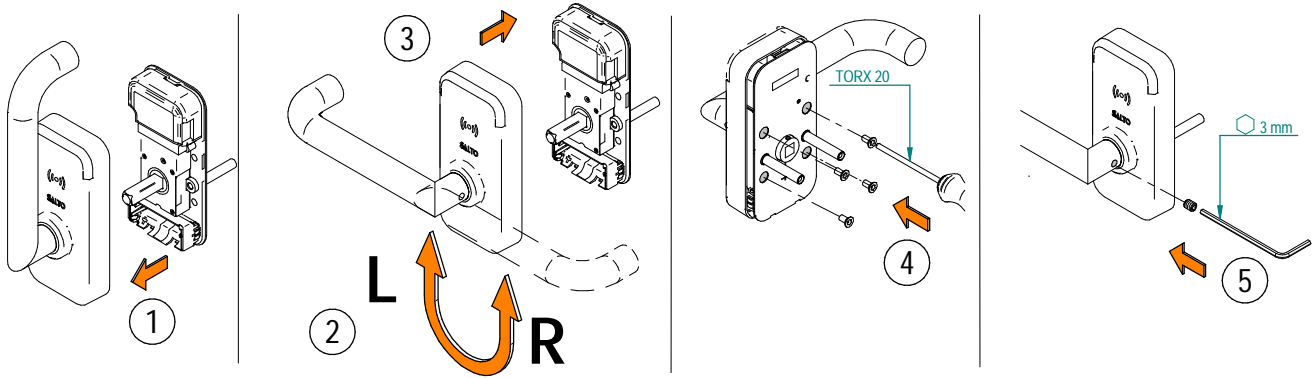
FOR "Z" HANDLE SEE PAGE 3
CON MANILLA "Z" VER PAGINA 3

- 1
- 2
- 3
- 4

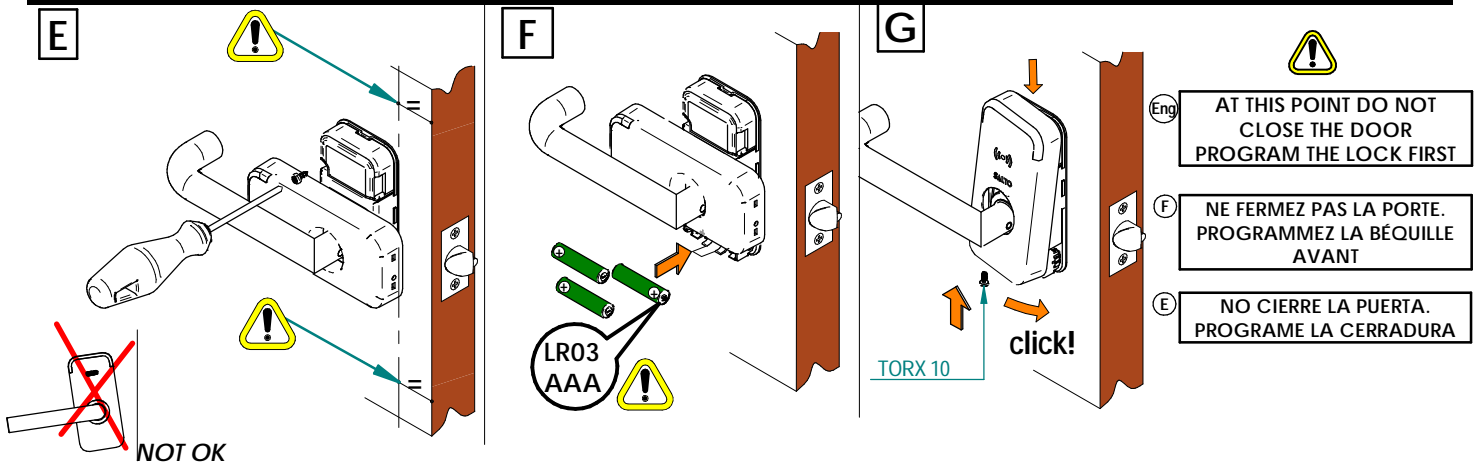
Installation guide

XS4 Mini for tubular latch

Eng SELECT HANDING; "Z" HANDLE **F** CHOISIR LE SENS DE LA POIGNÉE; "Z" POIGNÉE **E** SELECCIONE MANO; MANILLA "Z"



Eng Installation with "Z" handle **F** Installation avec la poignée "Z" **E** Instalación con manilla "Z"



Eng Battery change with "Z" handle **F** Remplacer les piles avec la poignée "Z" **E** Sustitución de las pilas con manilla "Z"

