

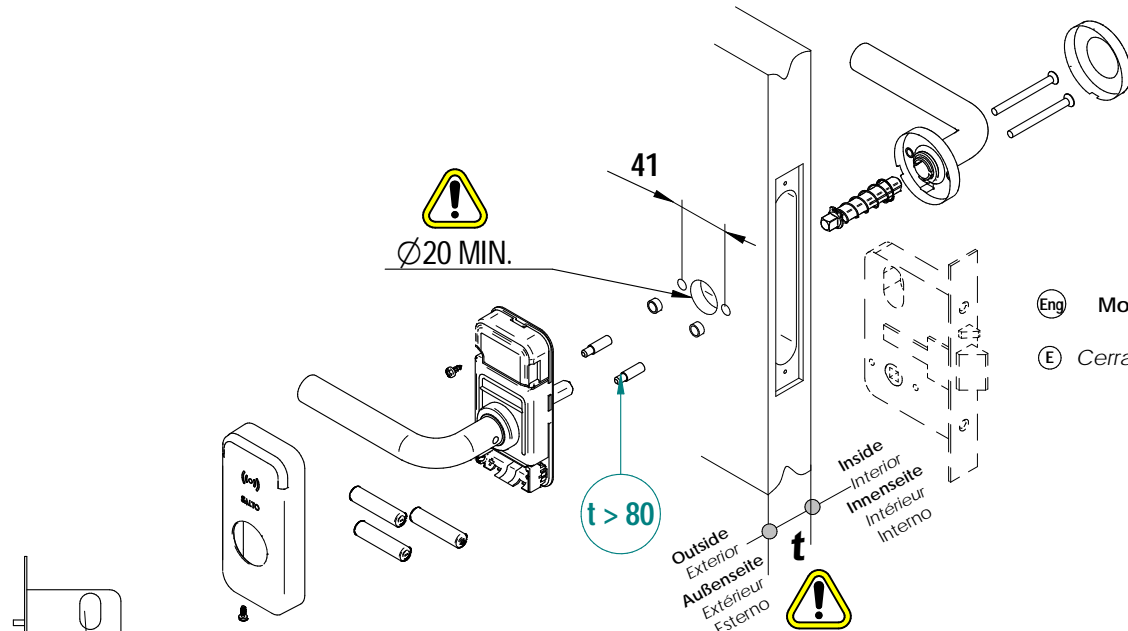
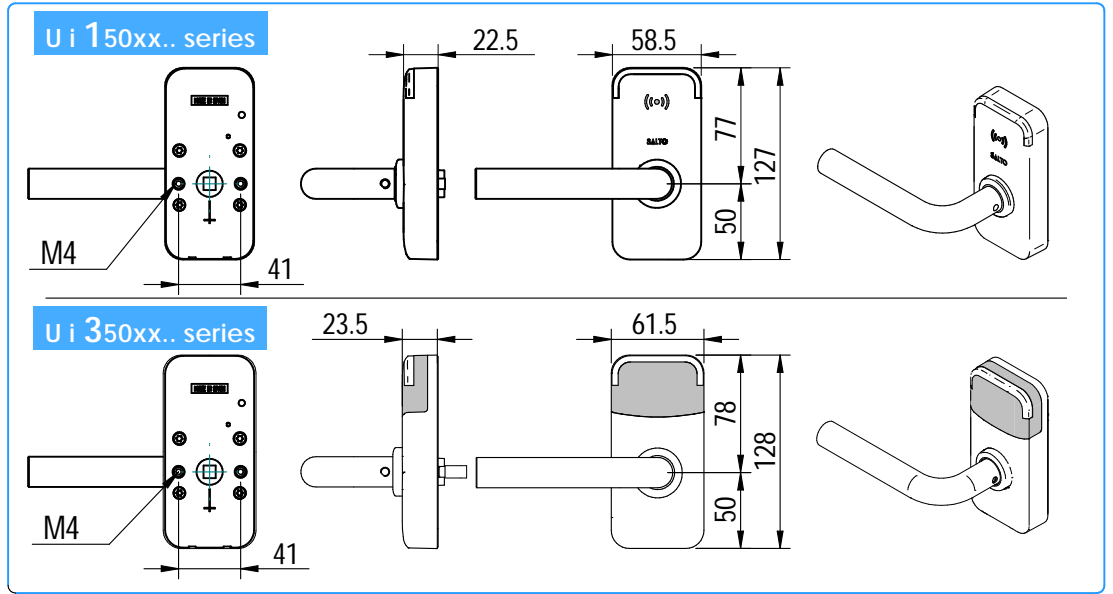
Installation guide XS4Mini

SALTO

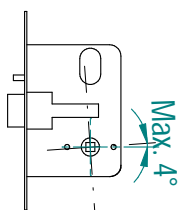
For Australian mortise locks with door holes (41 mm) for handle fastening

inspired **access**

Eng Installation guide
E Guía de instalación

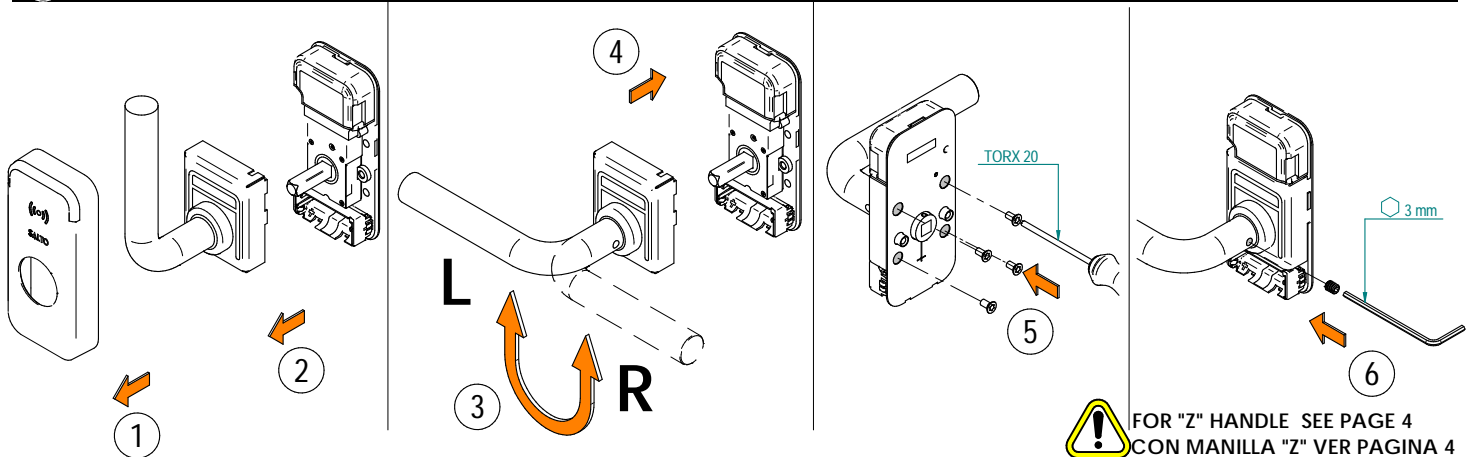


Eng Mortise Lock not included
E Cerradura de embutir no incluida



Eng SALTO recommends the use of a mortise lock, with a maximum 4° pre-turn
E SALTO recomienda utilizar cerraduras con un pregiro máximo de 4°.

Eng SELECT HANDING E SELECCIONE MANO

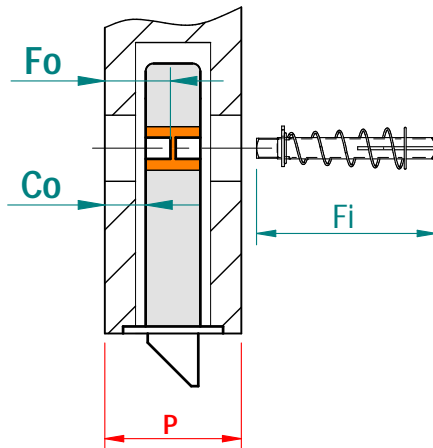
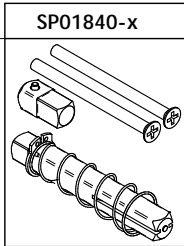


FOR "Z" HANDLE SEE PAGE 4
CON MANILLA "Z" VER PAGINA 4

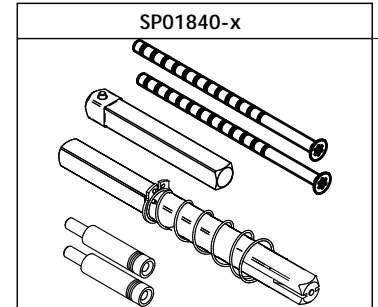
Split Spindle depending Spindle's "Fo" Measure

F Spindle Projection	Fo Needed Spindle Length	Co	t REF.	Split Spindle 7.6 Kit	Fi Inside Spindle	P Door Thickness (Orientative)
14.5 mm	15-17.5 mm	9-11.5	2	SP01840-2	53mm	32 - 50 mm
17 mm	17.5-20 mm	11.5 - 14 mm	A	SP01840-A		
19.5 mm	20-22.5 mm	14 - 16.5 mm	B	SP01840-B		
22 mm	22.5-25 mm	16.5 - 19 mm	5	SP01840-5		
16 - 58.5 mm	16.5 - 59 mm	10.5 - 54.5 mm	9	SP01841-9	53 mm	47 - 70 mm
			1	SP01841-1	70-105 mm	67 - 90 mm

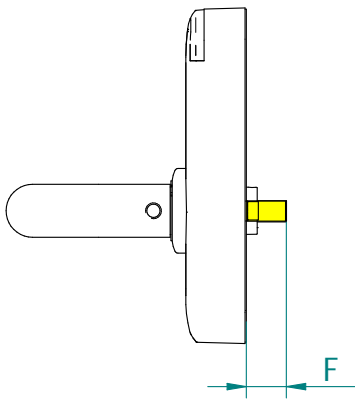
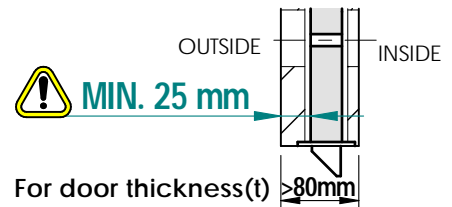
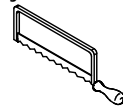
SPLIT SPINDLE 7.6 KIT



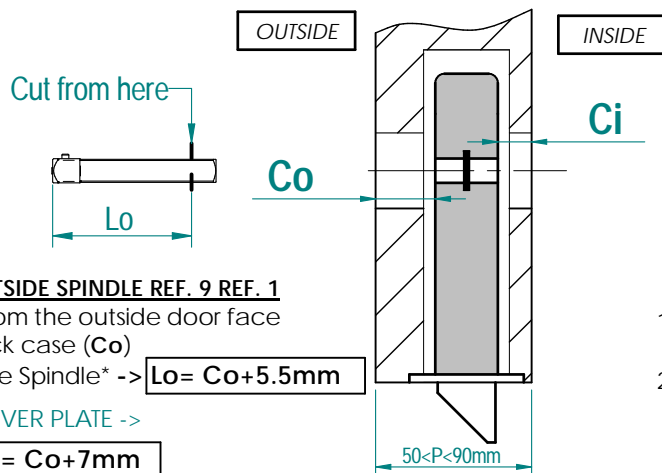
SPLIT SPINDLE 7.6 KIT



Necessary to cut to measure



For Door thickness from 50 to 90mm (t=REF.9 ,REF. 1). Prepare spindles as follows (Rebated doors allowed):



OUTSIDE SPINDLE REF. 9 REF. 1

- 1.-Measure from the outside door face to mortise lock case (Co)
- 2.- Cut Outside Spindle* -> $Lo = Co + 5.5mm$



WITH COVER PLATE ->

-> $Lo = Co + 7mm$

INSIDE SPINDLE REF. 1

- 1.-Measure from the inside door face to mortise lock case (Ci)
- 2.- Cut Inside Spindle -> $Li = Ci + 35mm$



*NOTE: This cut for the Outside Spindle must be done with accuracy of $\pm 1mm$

Installation guide XS4Mini

SALTO

For Australian mortise locks with door holes (41 mm) for handle fastening

inspiredaccess

Eng Installation E Instalación

A

41

* \varnothing 8 mm.

MIN. \varnothing 20 mm.

B

* \varnothing 8 * \varnothing 9

C

D

TORX 20

E

NOT OK

FOR "Z" HANDLE SEE PAGE 4
CON MANILLA "Z" VER PAGINA 4

F

LR03
AAA

G

H

TORX 10

click!

Eng AT THIS POINT DO NOT
CLOSE THE DOOR
PROGRAM THE LOCK FIRST
Follow user manual
E NO CIERRE LA PUERTA.
PROGRAME LA CERRADURA
Consulte el manual del usuario

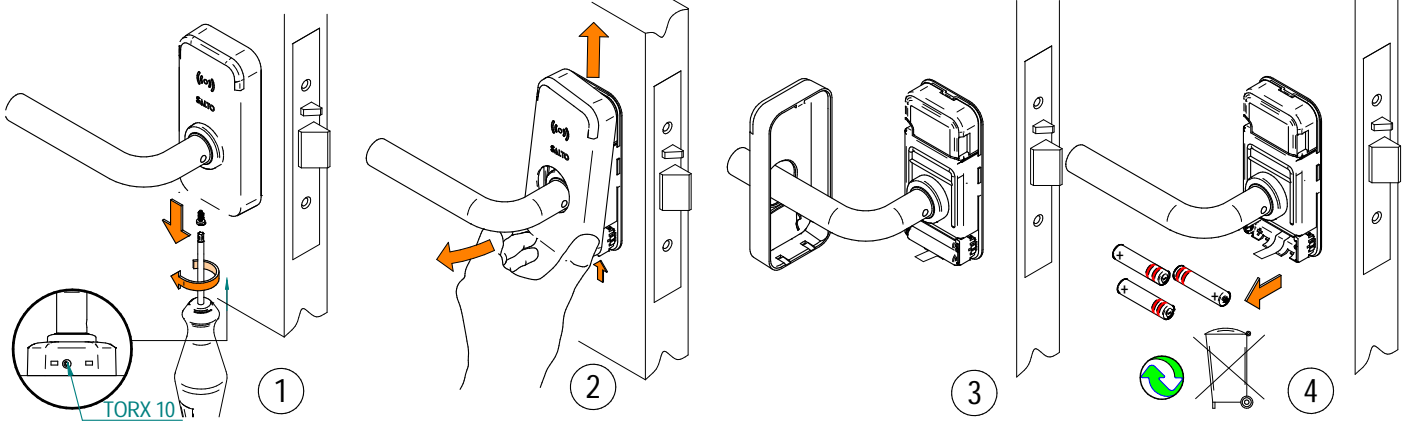
Installation guide XS4Mini

SALTO

For Australian mortise locks with door holes (41 mm) for handle fastening

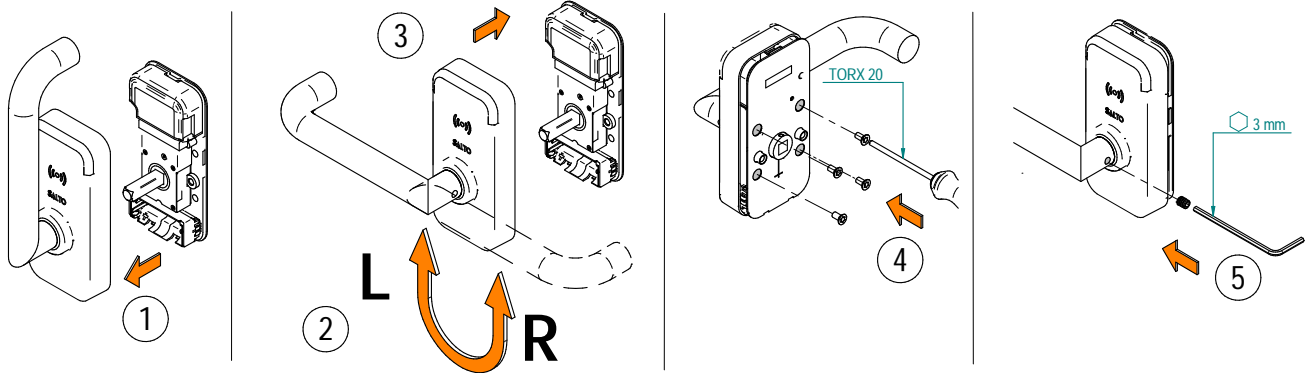
inspiredaccess

Eng Battery change **E** Sustitución de las pilas

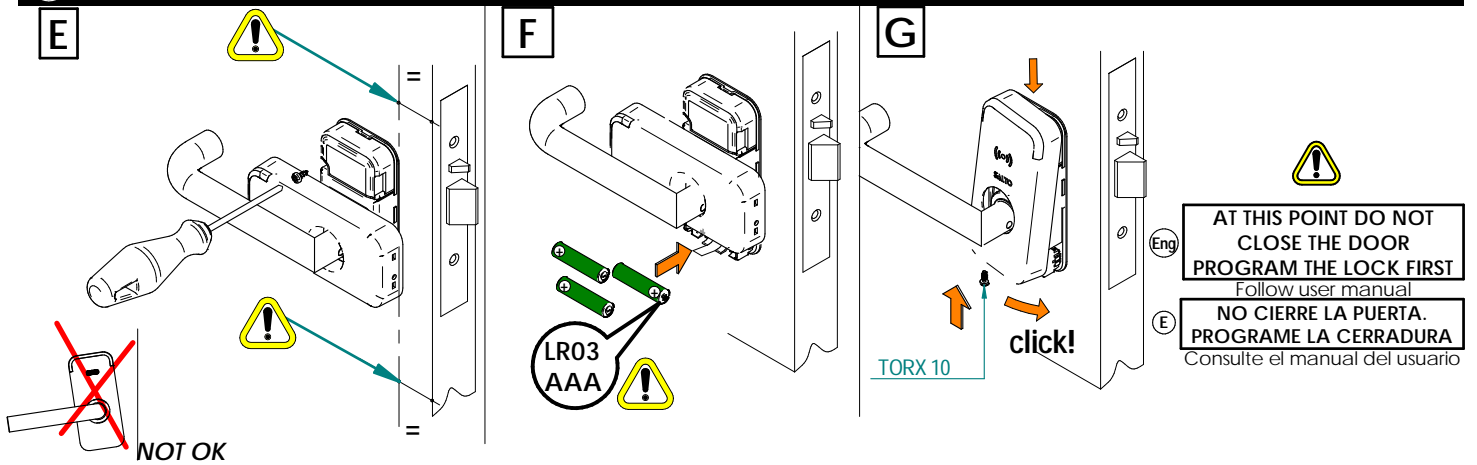


Eng DETAILS FOR INSTALLATION WITH "Z" HANDLE
SELECT HANDING

E DETALLES PARA UNA INSTALACIÓN CON MANILLA "Z"
SELECCIONE MANO



Eng Installation with "Z" handle **E** Instalación con manilla "Z"



Eng Battery change with "Z" handle **E** Sustitución de las pilas con manilla "Z"

