

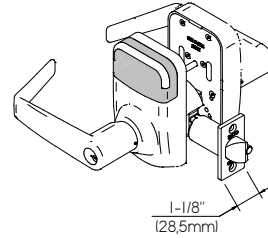
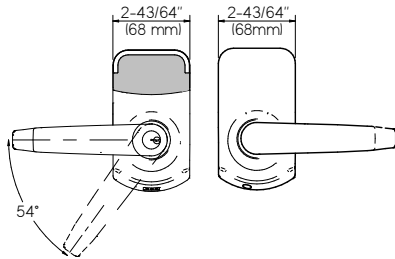
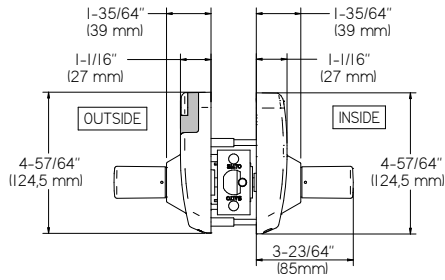
Installation guide

XS4 Mini ANSI with cylindrical latch

SALTO
inspiredaccess

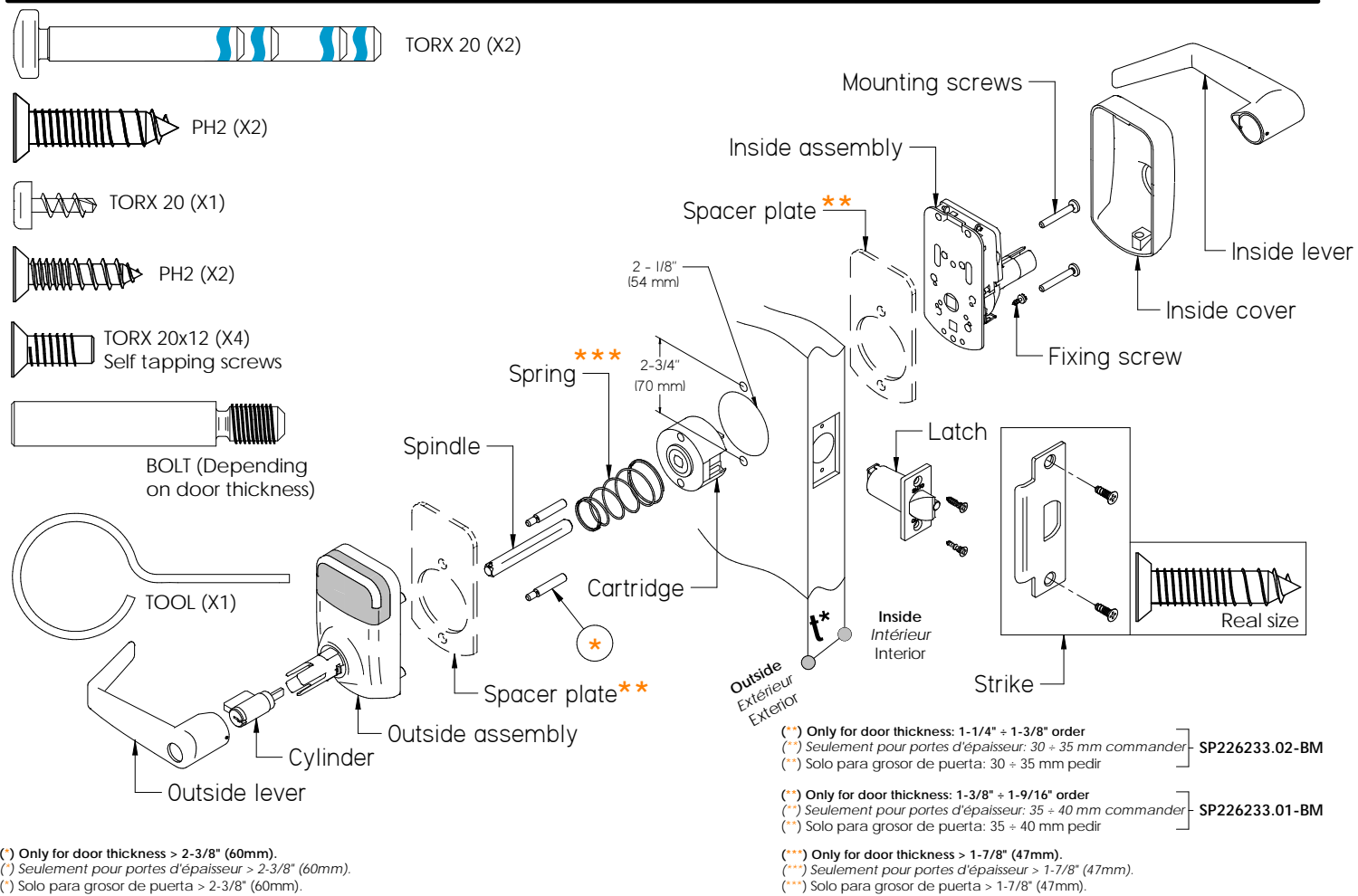
- Eng Installation guide
- F Guide d'installation
- E Guía de instalación

C i 250xx.. series
C i 260xx..



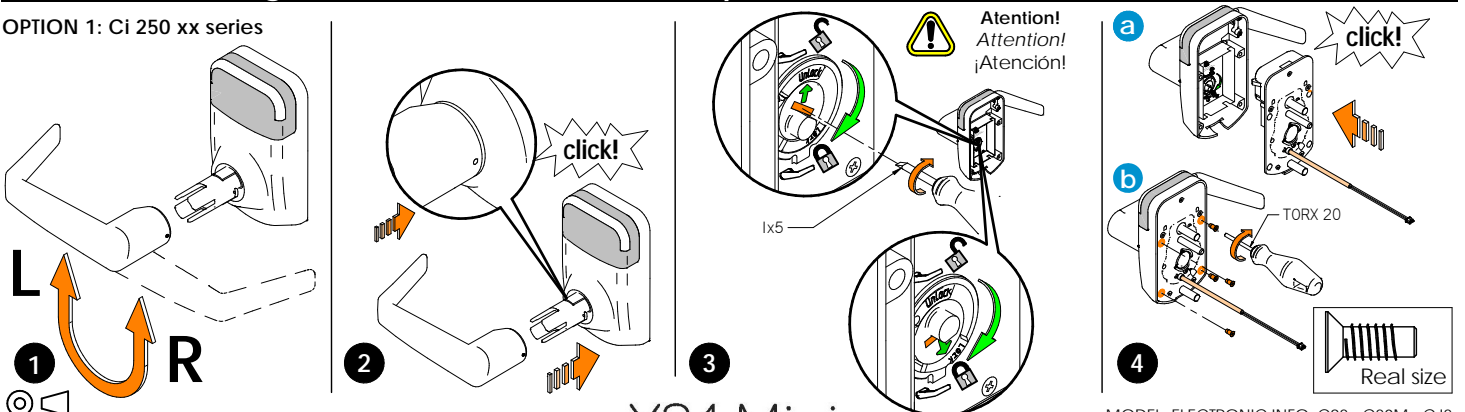
The XS4 Mini ANSI has been designed to meet ANSI A156.2 Grade 1 or 2 cylindrical latch requirements. Easy, simple and quick way to replace existing traditional knob sets, and upgrade them with a state of the art electronic access control system with Salto's cartridge cylindrical latch.

CLUTCH + OVERRIDE MOD.



Eng Select handing F Choisir le sens de la bèquille E Selección mano

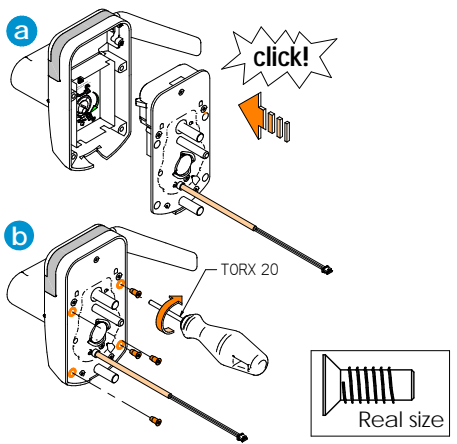
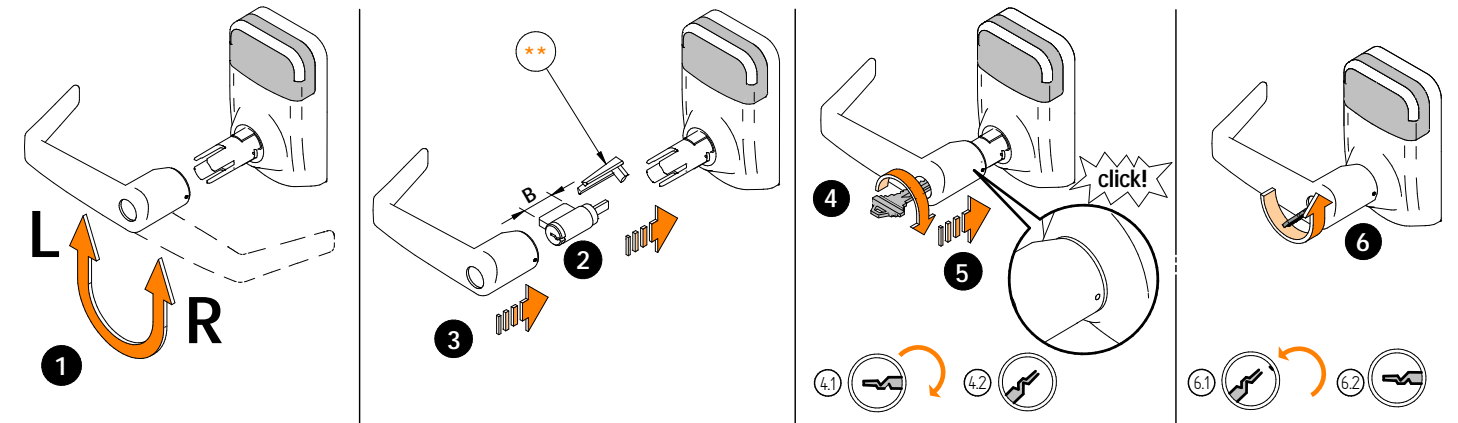
OPTION 1: Ci 250 xx series



Installation guide

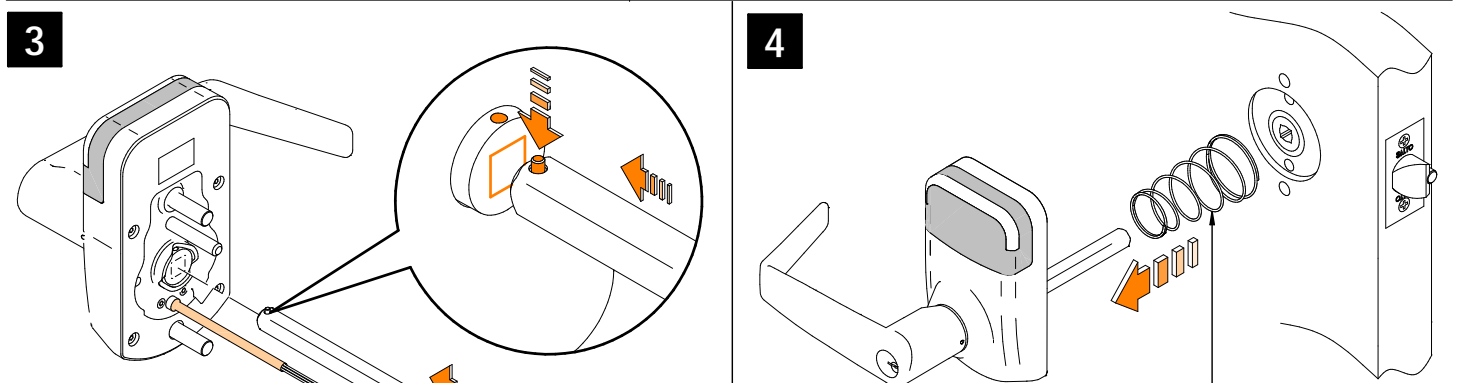
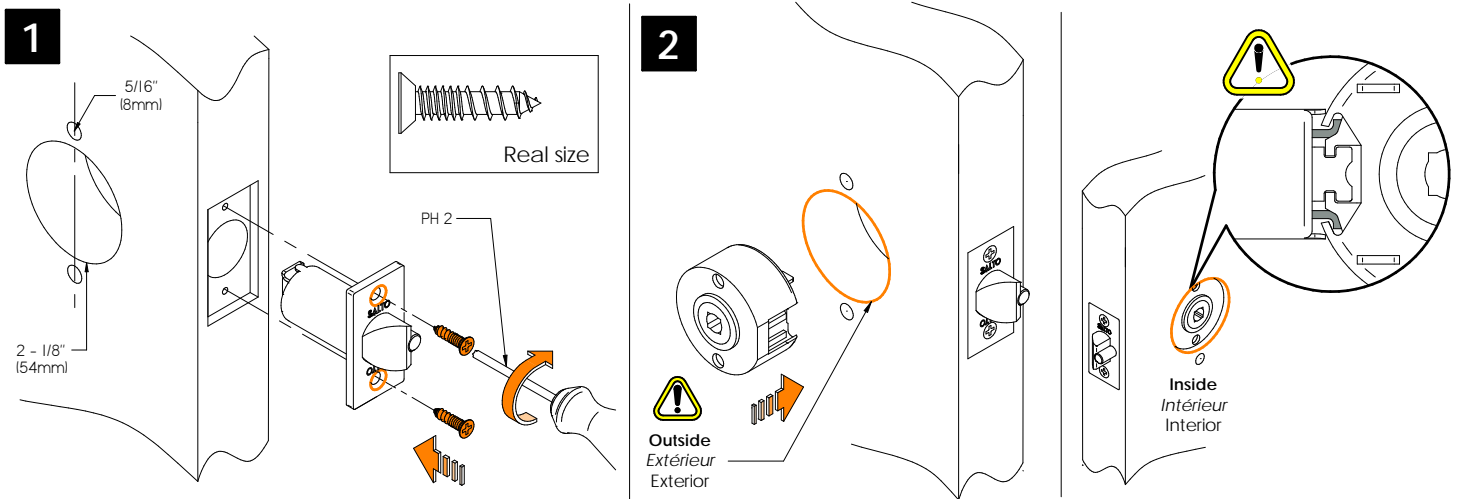
XS4 Mini ANSI with cylindrical latch

OPTION 2: Ci 260 xx WITH OVERRIDE



5 pins		5 - 6 pins	
Less than/Moins de/ Menos de 1" (25,4mm) (55/64" - 63/64") (21,8mm - 25mm)		For/Pour/Para 1" (25,4mm)	
	(7/8" - 29/32") (22,2mm - 23mm) Standard cylinder/Cylindre standard/ Cilindro estándar 7/8"(22,2mm)		(1" - 1-1/32") (25,4mm - 26,2 mm) Standard cylinder/Cylindre standard/ Cilindro estándar 1-1/32" (26,2mm)
	(15/16" - 31/32") (23,8mm - 24,6mm) Standard cylinder/Cylindre standard/ Cilindro estándar 61/64" (24,2mm)	WITHOUT	(1-1/16" - 1-3/32") (26,8mm - 27,7 mm)

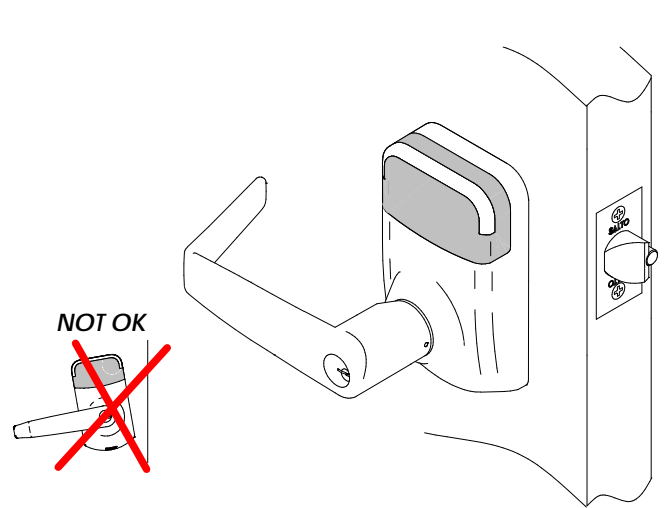
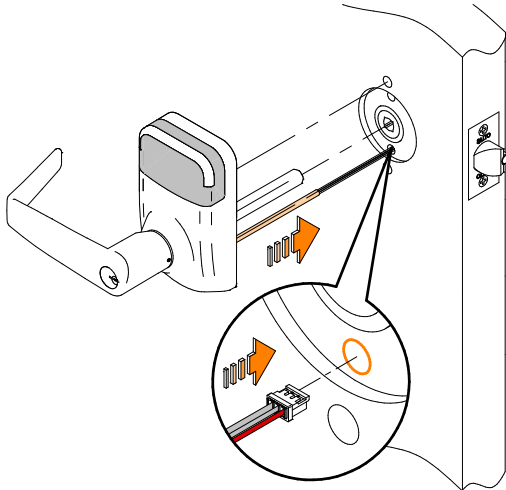
Eng Installation **F** Installation **E** Instalación



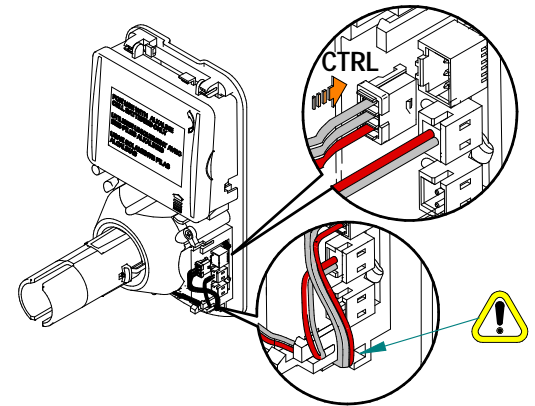
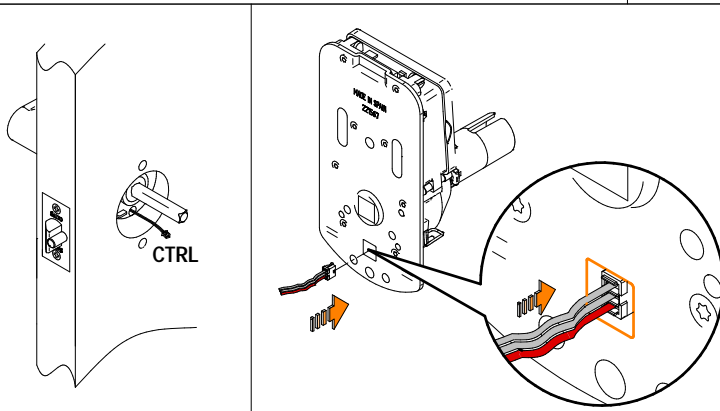
Installation guide

XS4 Mini ANSI with cylindrical latch

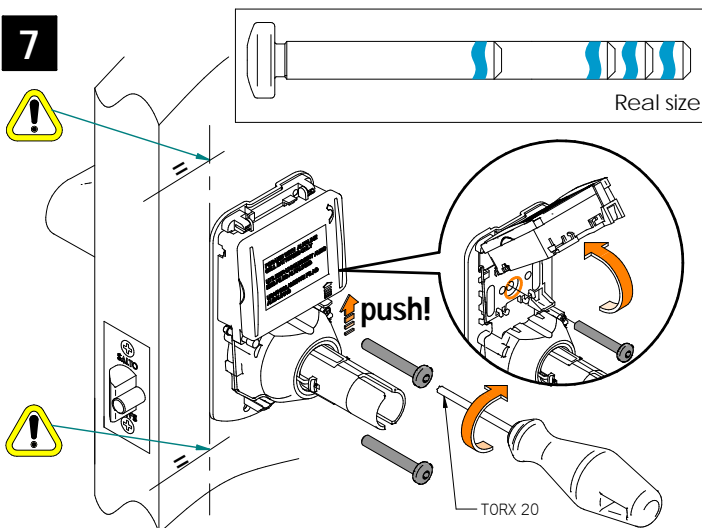
5



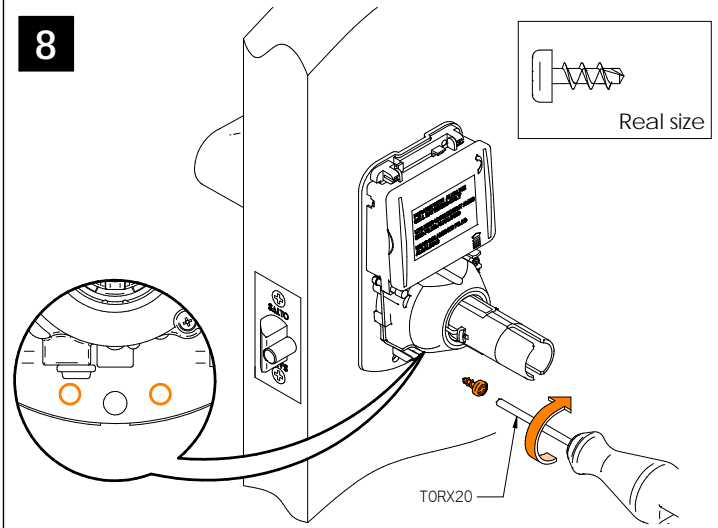
6



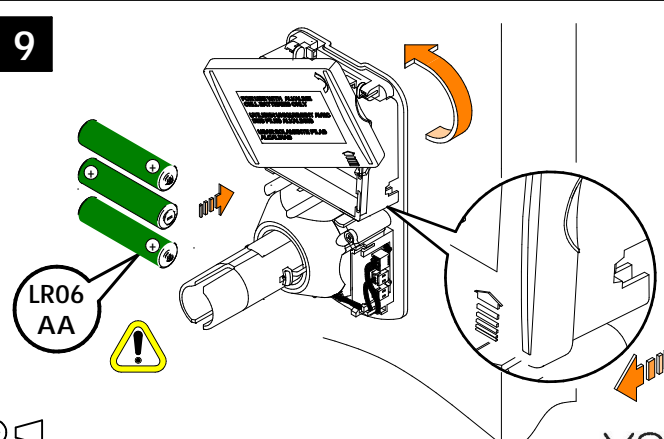
7



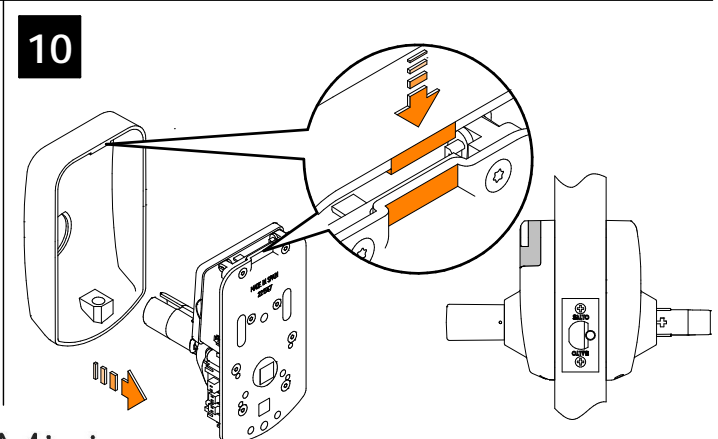
8



9

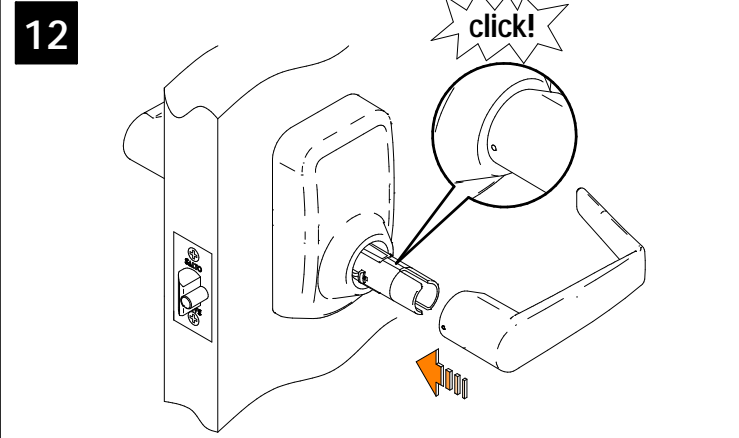
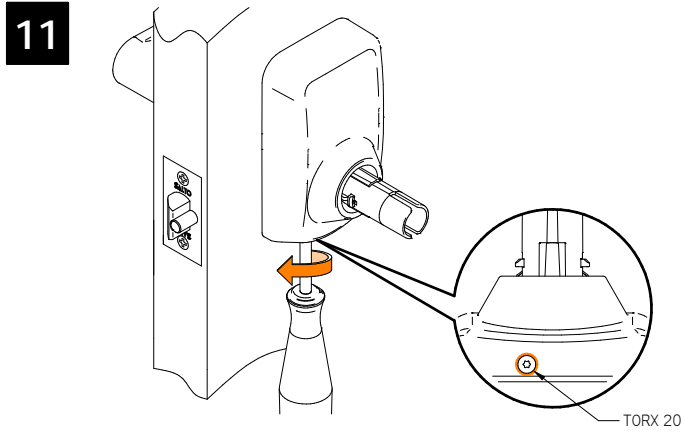


10



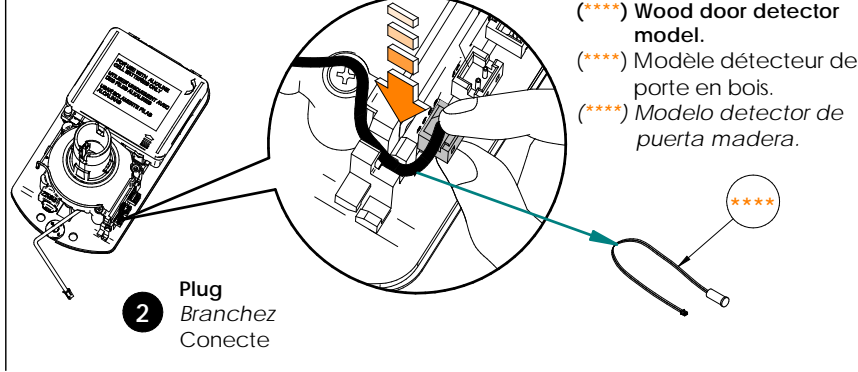
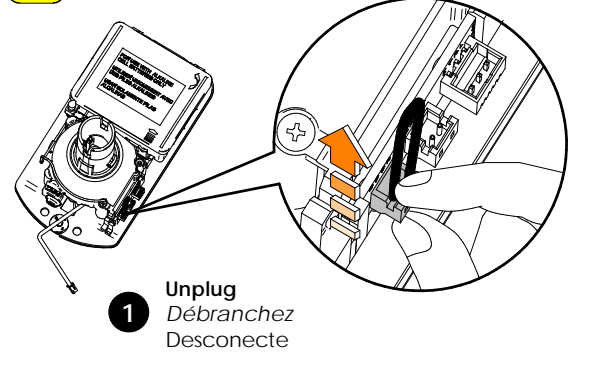
Installation guide

XS4 Mini ANSI with cylindrical latch



Eng Door detector **F** Détecteur de porte **E** Detector de puerta

! Only for models with door detector/Uniquement pour les modèles avec détecteur de porte/Solo para modelos con detector de puerta.



Eng Battery change **F** Remplacer les piles **E** Sustitución de las pilas

