

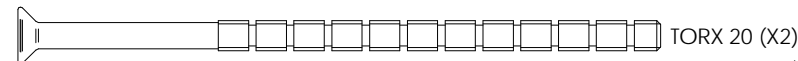
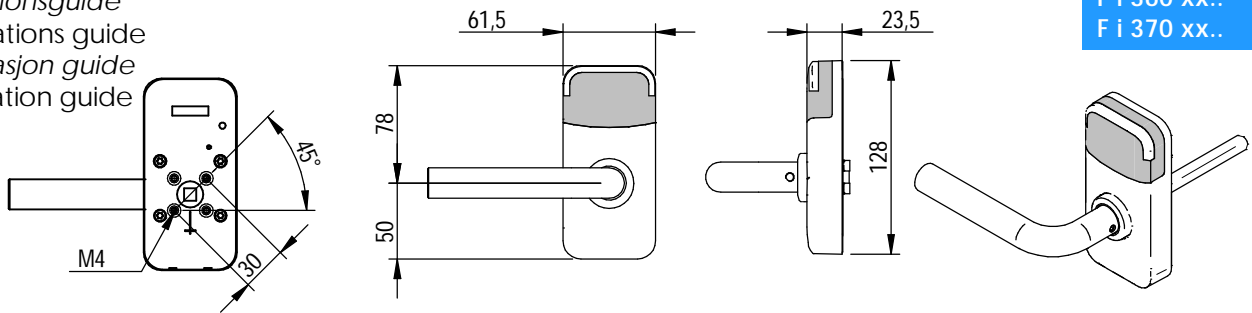
# Installation Guide

## XS4 Mini For Finnish Type Mortise Locks

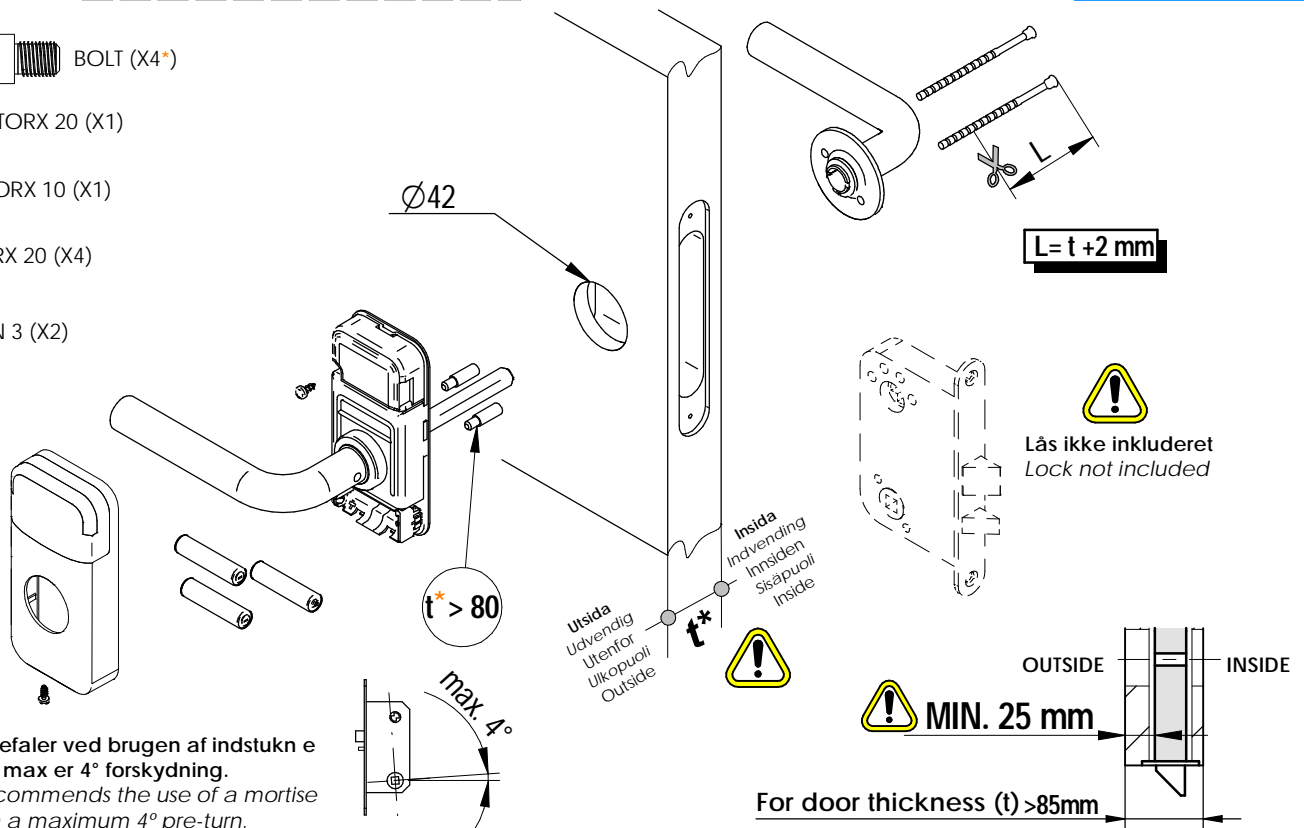
**SALTO**  
inspiredaccess

- FIN** Asennusohje
- SE** Installationsguide
- DK** Installations guide
- NO** Installasjon guide
- ENG** Installation guide

F i 350 xx.. series  
F i 360 xx..  
F i 370 xx..

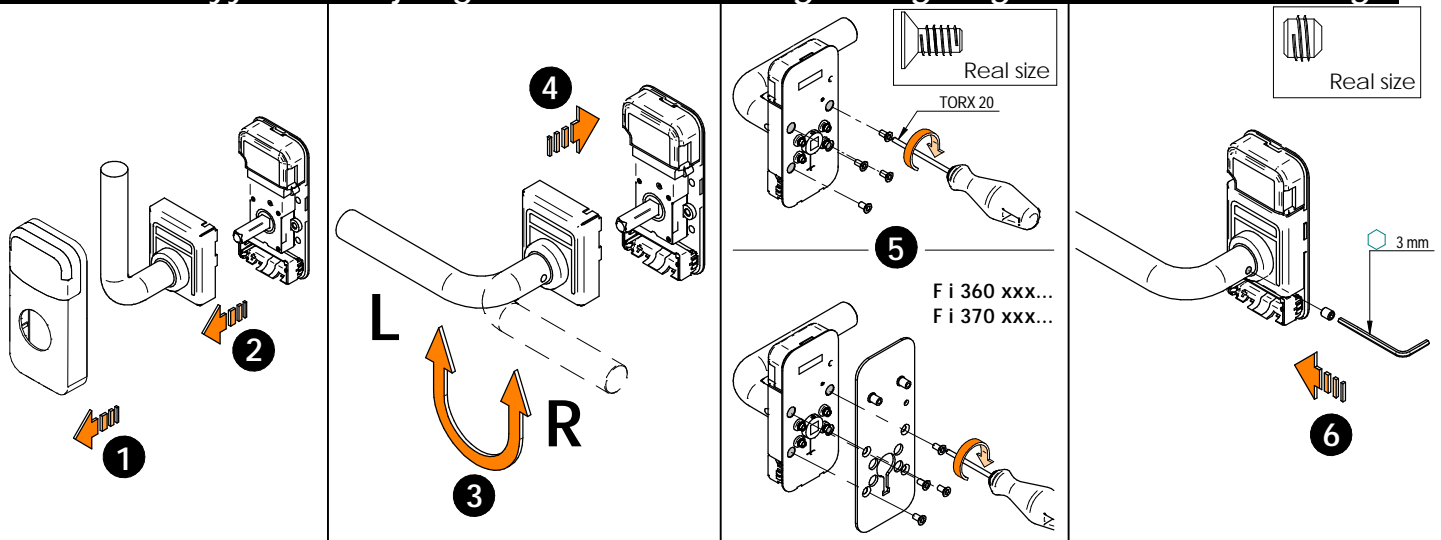


F i 350 xx..



- DK** Salto anbefaler ved brugen af indstukn e lås at der max er 4° forskydning.
- ENG** SALTO recommends the use of a mortise lock with a maximum 4° pre-turn.

**FIN** Valitse käätisyys **SE** Välj höger / Vänster **DK** Vaelg retning for greb **ENG** Select handing



# Installation Guide

## XS4 Mini For Finnish Type Mortise Locks

**SALTO**  
inspiredaccess

SE Installation DK Installation NO Installasjon FIN Sähköisen Eng Installation

**1**

⚠  
Ø42 mm.

**2**

**3**

**4**

Real size

⚠ DEPENDENT ON THE MODEL

**5**

⚠ IKKE KORREKT  
⚠ NOT OK

Real size

**6**

**7**

click!

TORX 10

Real size

⚠

STÄNG INTE DÖRREN, TESTA LÅSET FÖRST

LUK IKKE DØREN FØR LÅSEN ER TESTET

TESTAA TASSA VAIHEESSA LUKKO ENNEN KUIN SULJET OVEN.

AT THIS POINT DO NOT CLOSE THE DOOR, PROGRAM THE LOCK FIRST.

All contents current at time of publication.  
SALTO Systems S.L. reserves the right to change availability of any item in this catalog, its design, construction, and/or materials.

© 2023 SALTO Systems S.L.

2/3

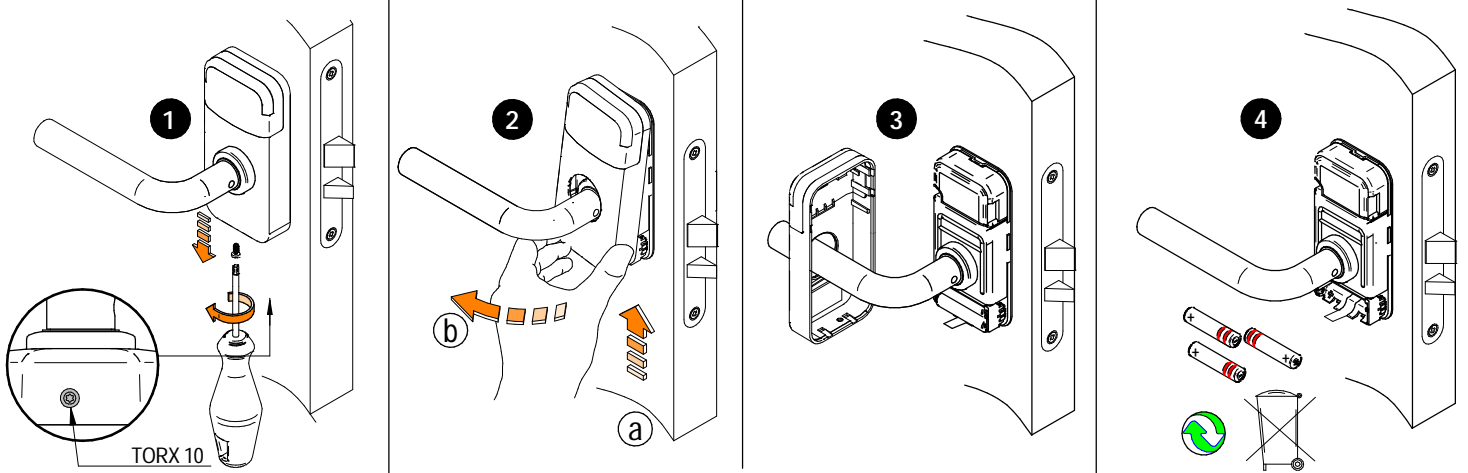
227247 - ED. 31/03/2023

# Installation Guide

## XS4 Mini For Finnish Type Mortise Locks

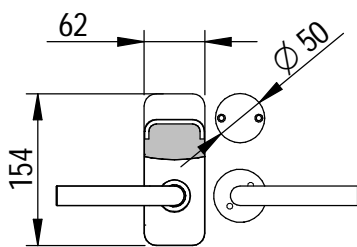
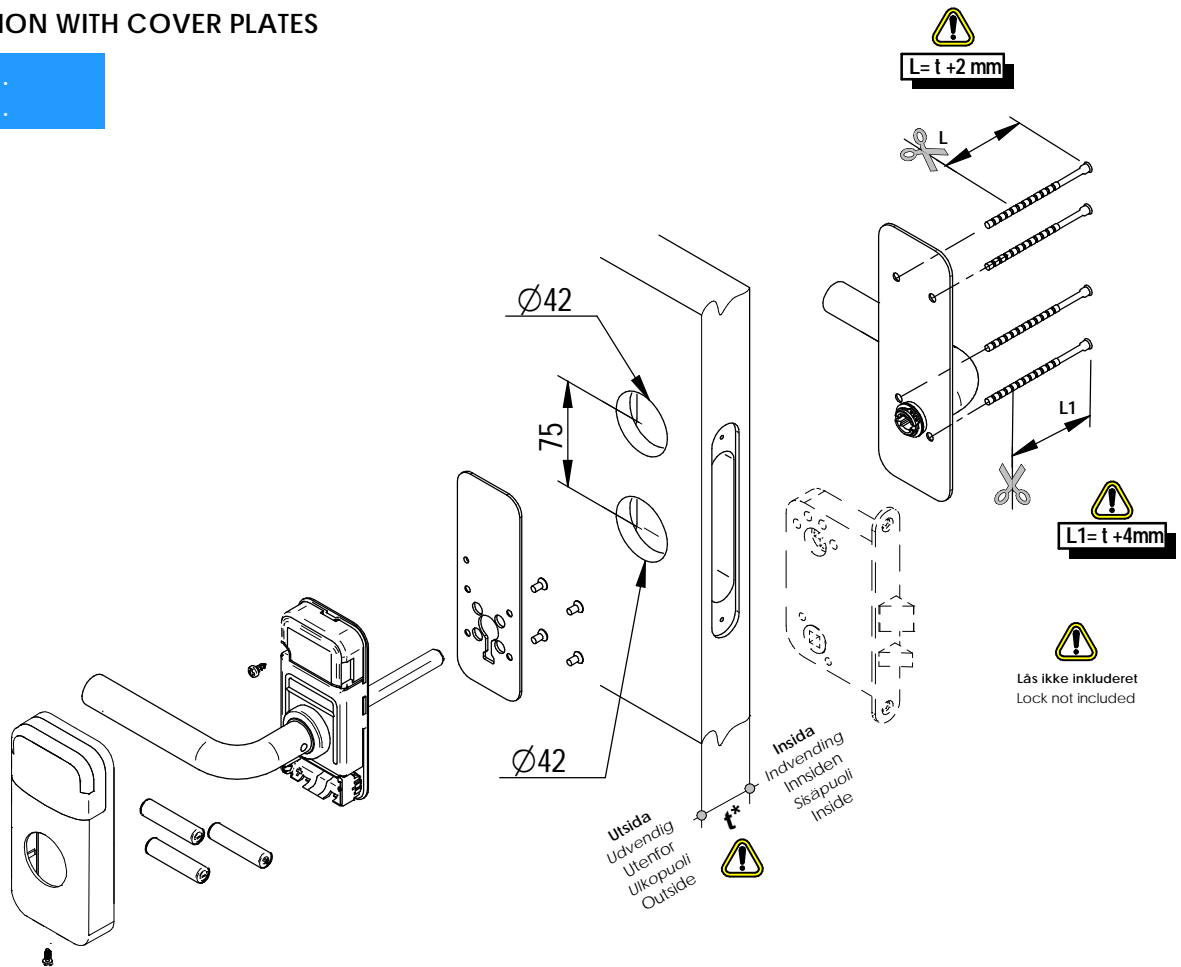
**SALTO**  
inspiredaccess

FIN Akku korvaaminen SE Batteri utbyte DK Batteri udskifning NO Batteri erstatning ENG Battery change

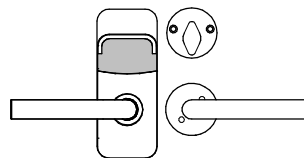


### INSTALLATION WITH COVER PLATES

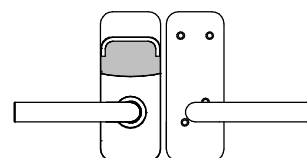
F i 360 xx..  
F i 370 xx..



Fi 360 x R xx



Fi 361 x R xx



Fi 370 x R xx h