

# Installation Guide

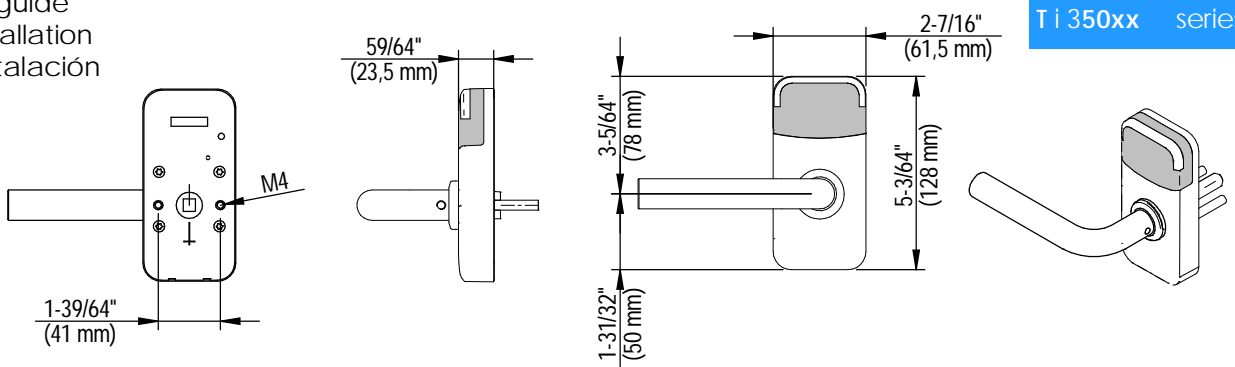
## XS4 Mini For Tubular Type Mortise Locks

**SALTO**

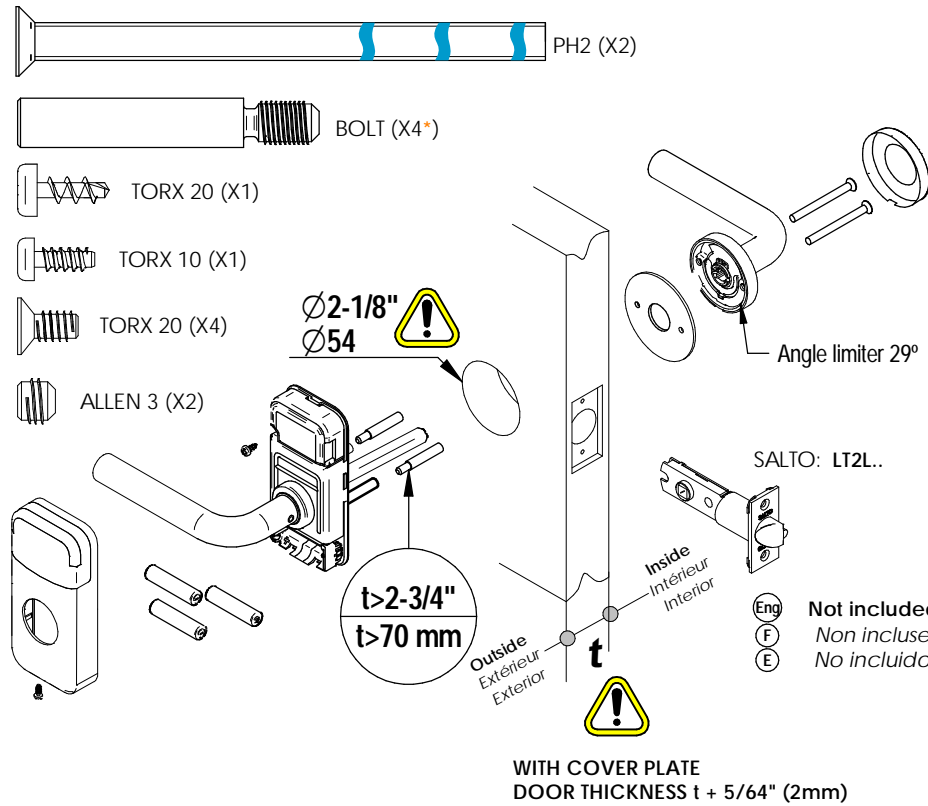
inspiredaccess

T i 350xx series

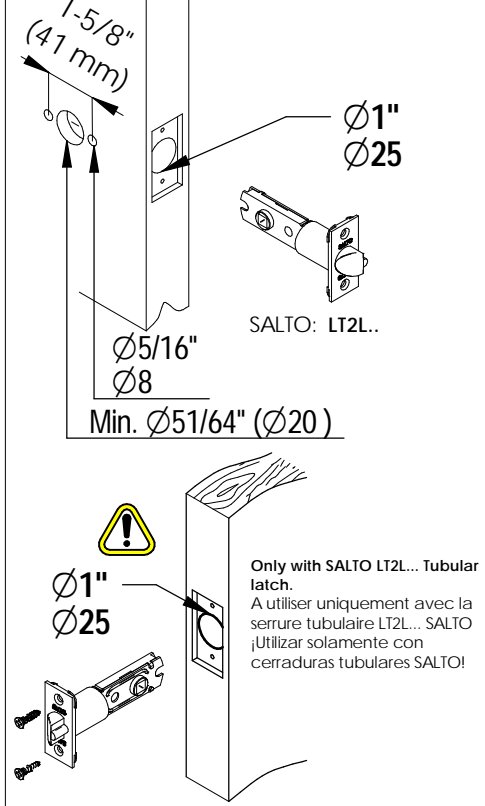
- Eng Installation guide
- F Guide d'installation
- E Guía de instalación



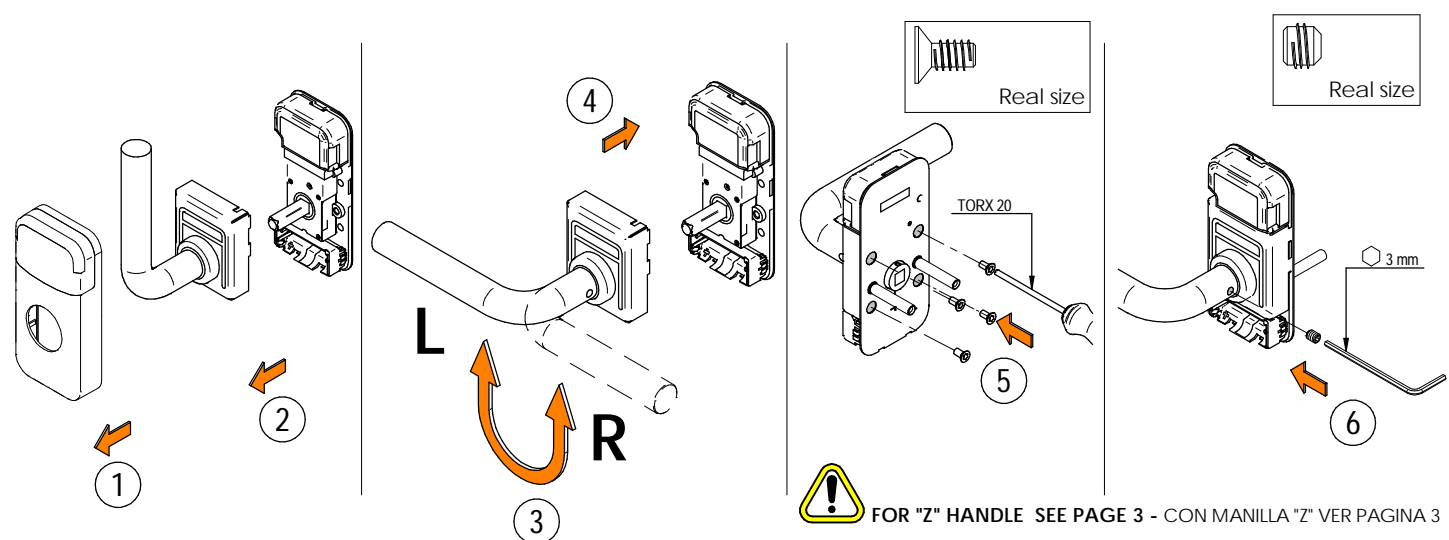
### STANDARD DOOR RETROFIT CYLINDRICAL OR TUBULAR LATCH



### NEW DOOR PREPARATION



Eng Select Handing F Choisir Le Sens De La Poignée E Seleccione Mano



# Installation Guide

## XS4 Mini For Tubular Type Mortise Locks

Eng Installation F Installation E Instalación

**A**

MAX.  $\varnothing$ 2-1/8" ( $\varnothing$ 54 mm)

**E**

NOT OK

FOR "Z" HANDLE SEE PAGE 3  
CON MANILLA "Z" VER PAGINA 3

**B**

**F**

LR03  
AAA

**C**

**G**

**D**

Real size

\* WITH COVER PLATE  
DOOR THICKNESS  $t + 5/64"$  (2mm)

PH2

\*Only for retrofit

**H**

TORX 10

click!

Real size

Eng AT THIS POINT DO NOT CLOSE THE DOOR PROGRAM THE LOCK FIRST

F NE FERMEZ PAS LA PORTE. PROGRAMMEZ LA BÉQUILLE AVANT

E NO CIERRE LA PUERTA. PROGRAME LA CERRADURA

Eng Battery change F Remplacer les piles E Sustitución de las pilas

TORX 10

1

2

3

4

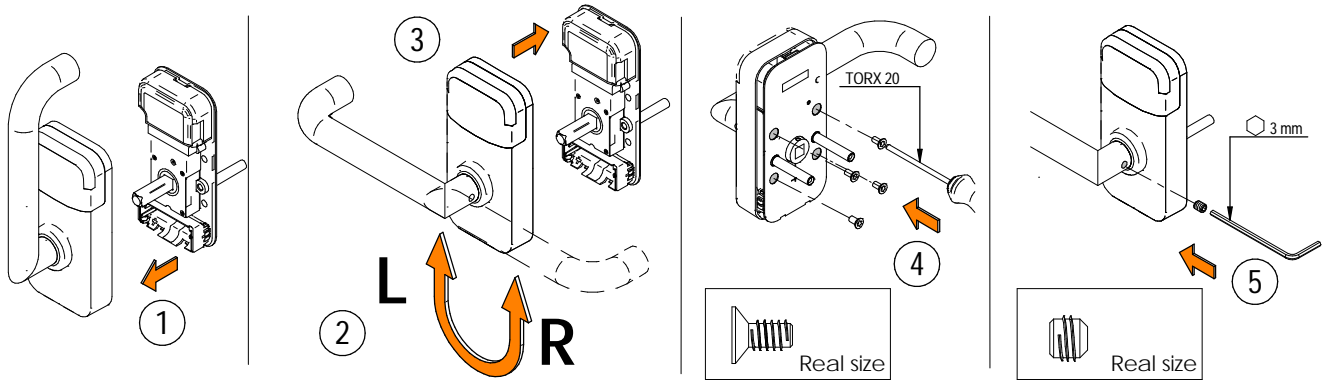
FOR "Z" HANDLE SEE PAGE 3  
CON MANILLA "Z" VER PAGINA 3

# Installation Guide

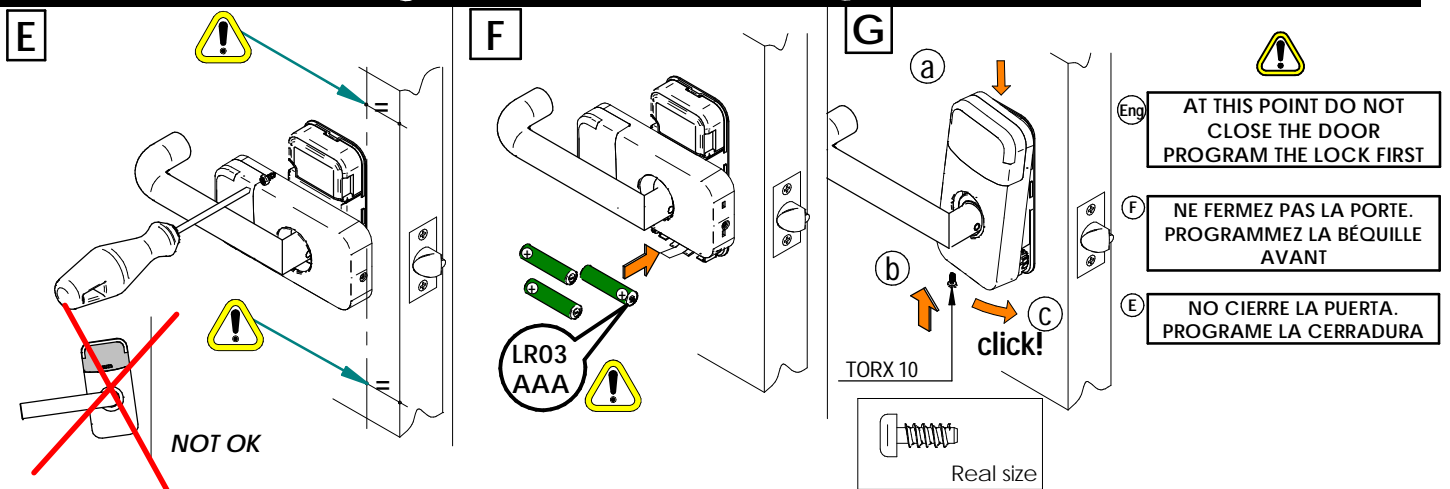
## XS4 Mini For Tubular Type Mortise Locks

**SALTO**  
inspiredaccess

**Eng** Select handing; "Z" handle    **F** Choisir le sens de la poignée    **E** Seleccione mano; manilla "Z"



**Eng** Installation with "Z" handle    **F** Installation avec la poignée "Z"    **E** Instalación con manilla "Z"



**Eng** Battery change with "Z" handle    **F** Remplacer les piles avec la poignée "Z"

