

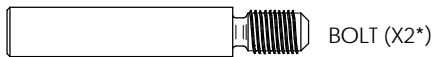
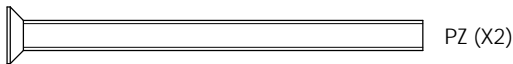
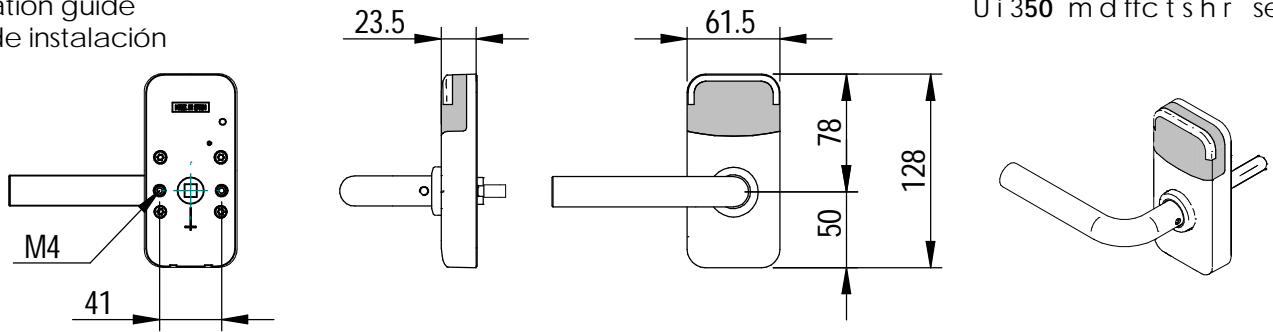
Installation Guide

XS4 Mini For Australian mortise locks

SALTO
inspiredaccess

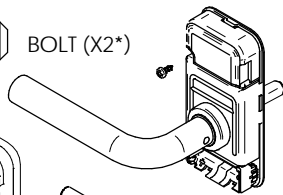
Eng Installation guide
E Guía de instalación

U i 350 m d f f c t s h r series



Ø20 MIN.

41



Outside Exterior
Inside Interior

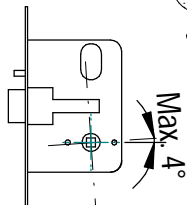


Eng Mortise Lock not included

E Cerradura de embutir no incluida

* Eng Only for door thickness $t > 80$ mm

E Solo para grosores de puerta $t > 80$ mm

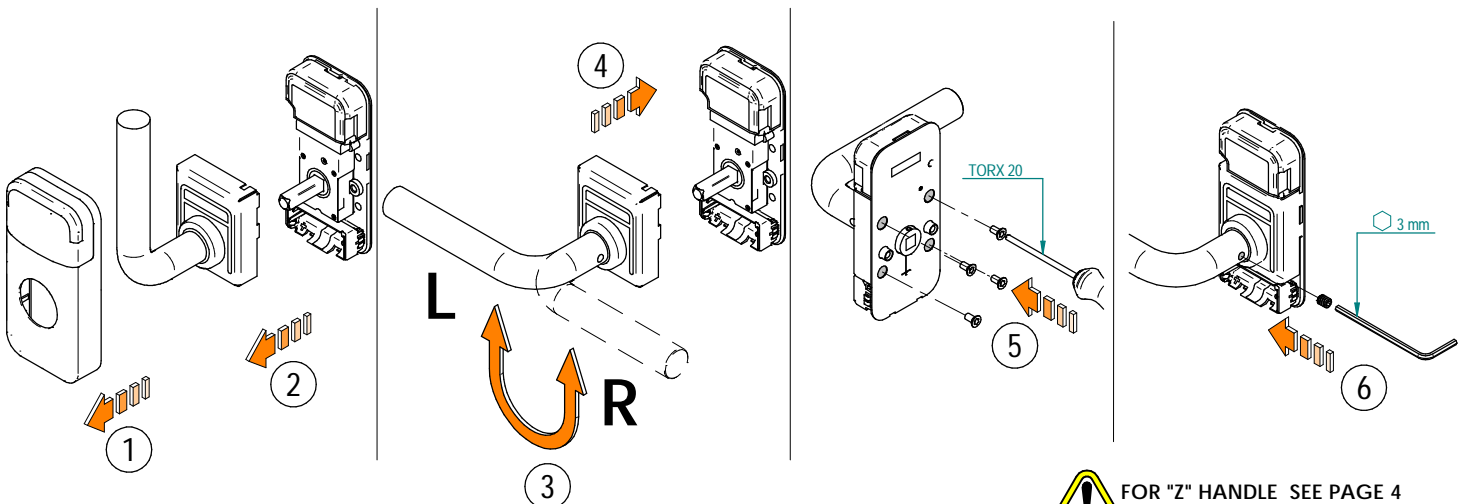


Eng SALTO recommends the use of a mortise lock, with a maximum 4° pre-turn

E SALTO recomienda utilizar cerraduras con un pregiro máximo de 4°.

Eng Select handing

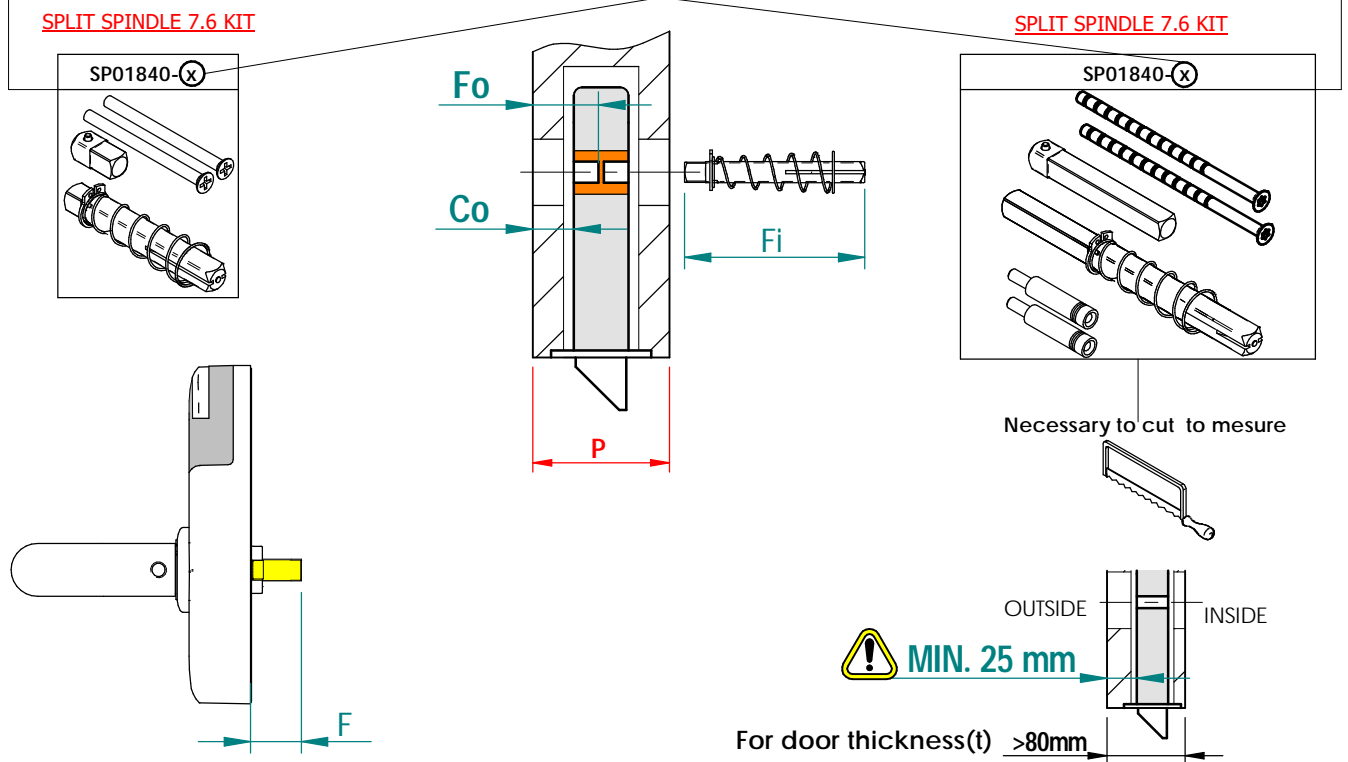
E Seleccione mano



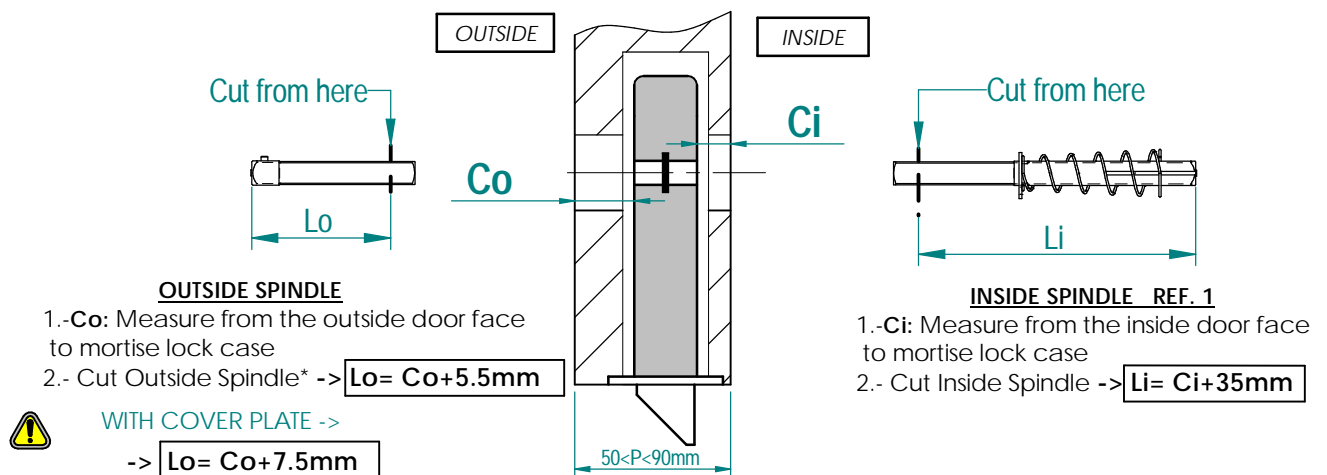
FOR "Z" HANDLE SEE PAGE 4
CON MANILLA "Z" VER PAGINA 4

Split Spindle depending Spindle's "Fo" Measure

F Spindle Projection	Fo Needed Spindle Length	Co	t REF.	Split Spindle 7.6 Kit	Fi Inside Spindle	P Door Thickness (Orientative)
14.5 mm	15-17.5 mm	9-11.5	2	SP01840-2	53mm	32 - 50 mm
17 mm	17.5-20 mm	11.5 - 14 mm	A	SP01840-A		
19.5 mm	20-22.5 mm	14 - 16.5 mm	B	SP01840-B		
22 mm	22.5-25 mm	16.5 - 19 mm	5	SP01840-5		
16 - 58.5 mm	16.5 - 59 mm	10.5 - 54.5 mm	9	SP01841-9	53 mm	47 - 70 mm
			1	SP01841-1	70-105 mm	67 - 90 mm



Spindles preparation from 50 to 90mm door thickness (t=REF.9 | t=REF. 1) (Rebated doors allowed):



*NOTE: This cut for the Outside Spindle must be done with accuracy of $\pm 1mm$

Installation Guide

XS4 Mini For Australian mortise locks

SALTO
inspiredaccess

Eng Installation E Instalación

1

* \varnothing 8 mm.

41

! MIN. \varnothing 20 mm.

2

* \varnothing 8 * \varnothing 9

!

3

4

a

b

c

d

3 mm

5

NOT OK

!

!

! FOR "Z" HANDLE SEE PAGE 4
CON MANILLA "Z" VER PAGINA 4

6

!

LR03 AAA

7

8

a

b

c

click!

TORX 10

!

Eng AT THIS POINT DO NOT
CLOSE THE DOOR
PROGRAM THE LOCK FIRST

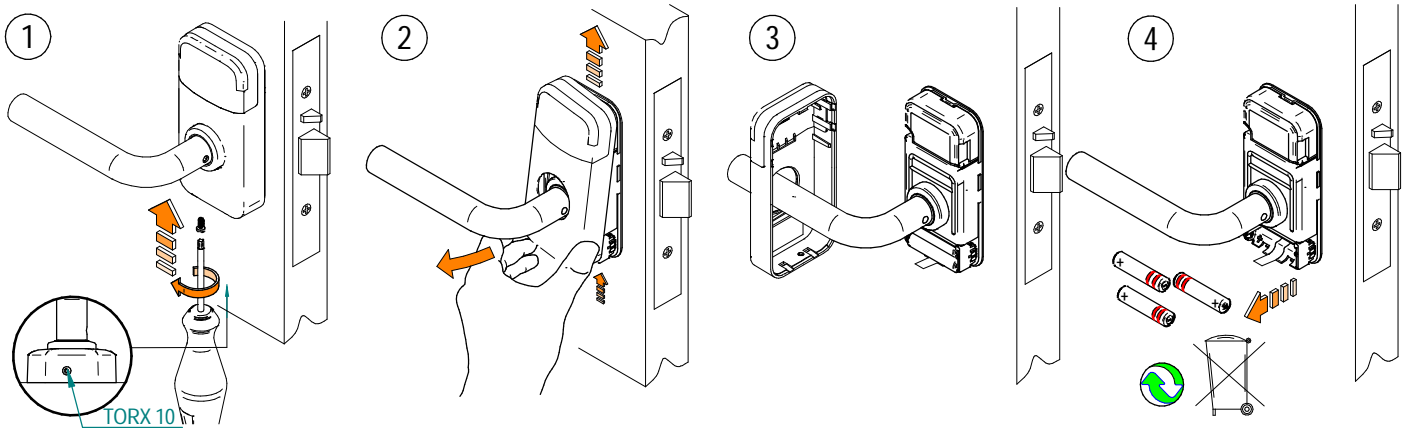
E NO CIERRE LA PUERTA.
PROGRAME LA CERRADURA

Installation Guide

XS4 Mini For Australian mortise locks

SALTO
inspiredaccess

Eng Battery replacement **E** *Sustitución de las pilas*

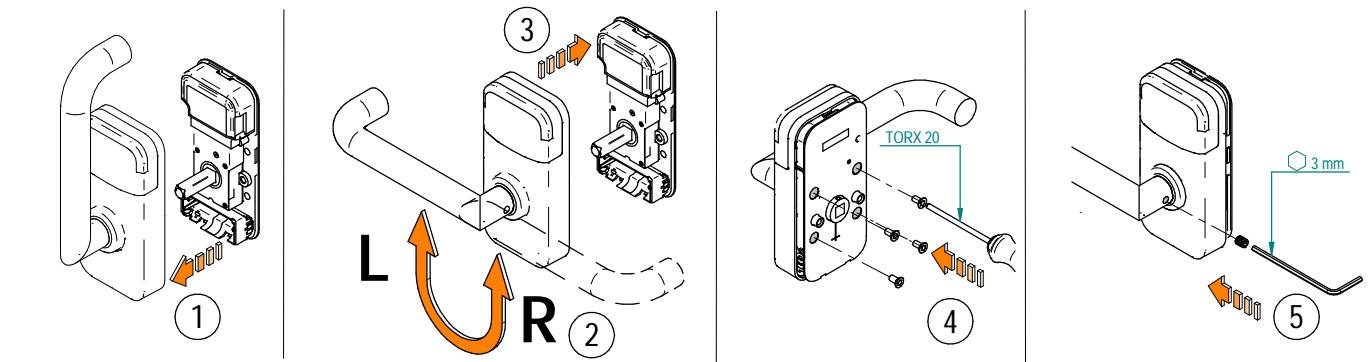


Eng Details for installation with "Z" handle

E *Detalles para una instalación con manilla "Z"*

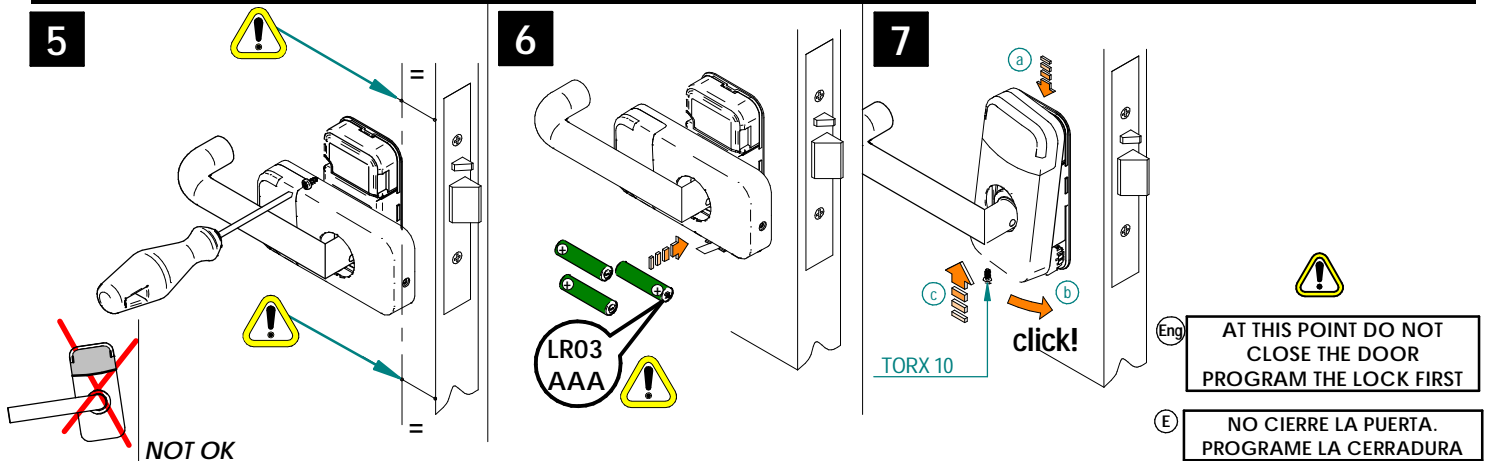
Select handing

Seleccione mano



Eng Installation with "Z" handle

E *Instalación con manilla "Z"*



Eng Battery replacement with "Z" handle

E *Sustitución de las pilas con manilla "Z"*

