

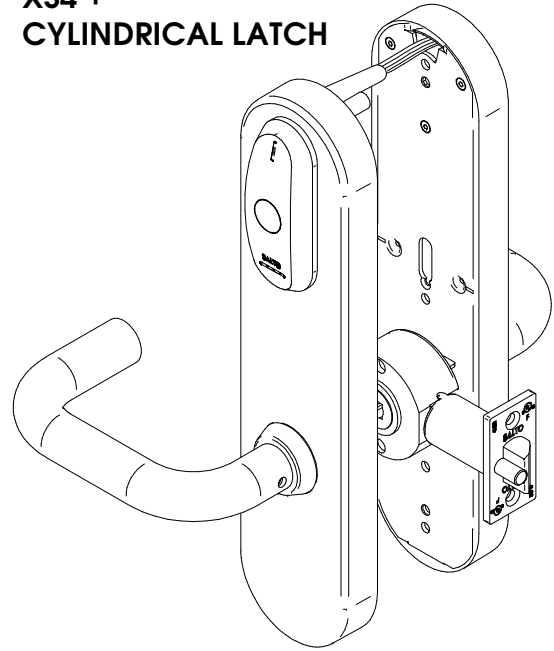
Wood Door Preparation for Cyl. Latch LC1Kxx + XS4 Escutcheon

Préparation de la Porte en Bois pour LC1Kxx + Béquille XS4

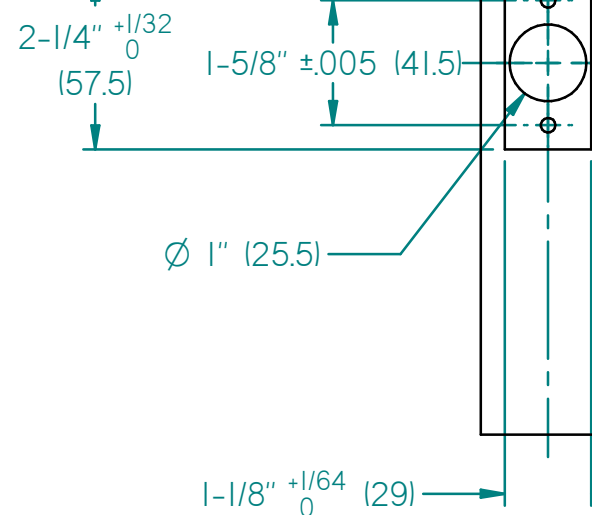
Mec. Puerta Madera Pic. Cilíndrico LC1Kxx + Escudo XS4



**XS4 +
CYLINDRICAL LATCH**



#8 Combo Screws
3/32" Pilot Hole to be field drilled



DOOR EDGE

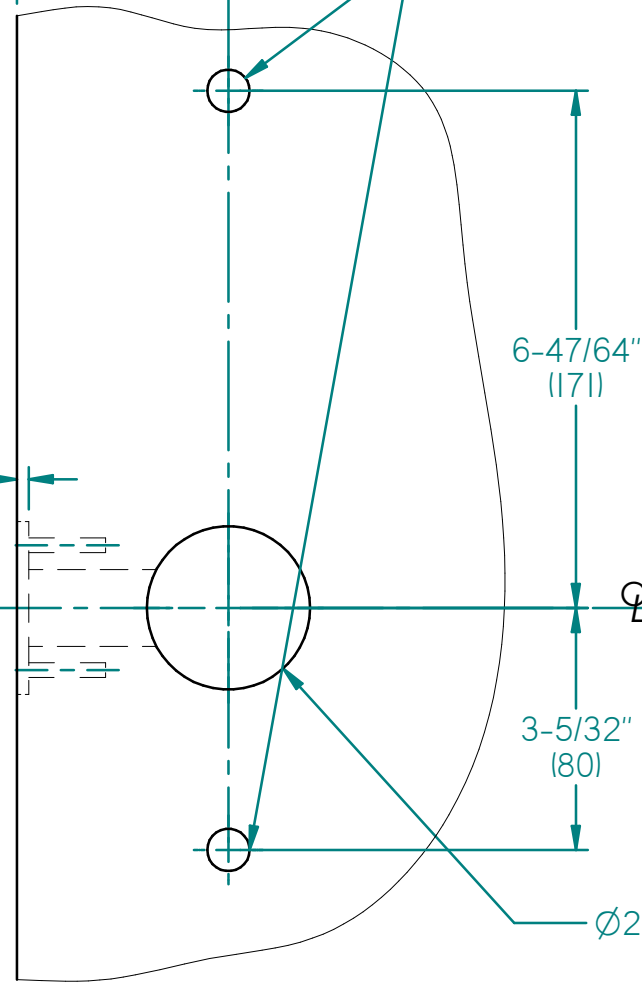
COMMON \varnothing OF LOCK&STRIKE

2-3/4" (70)* for LC1K70xx

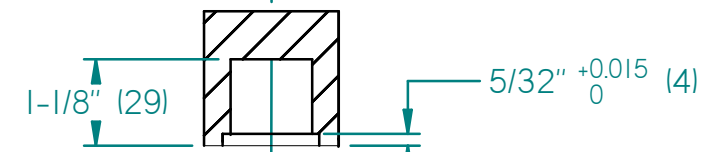
$\varnothing 9/16"$ (14)

5/32" $^{+1/64}_0$ (4)

LOCK



DOOR



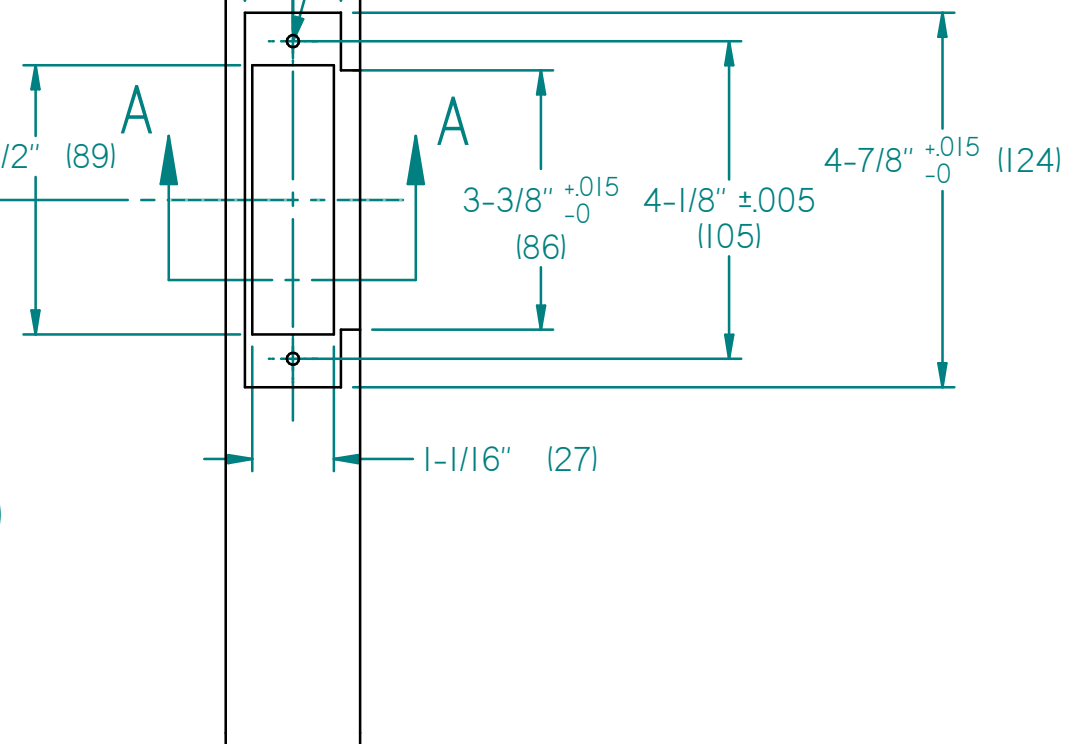
SECTION A-A

#12 Combo Screws
1/8" Pilot Hole to be field drilled

1-1/4" $^{+0.015}_0$ (32)

3-1/2" (89)

LEVER



**FRAME (4-7/8" ASA
STRIKE)**

* Also available 2-1/4" (60mm), 3-3/4" (95mm) and 5" (127mm)

DOOR PREPARATION ACORDING TO A156.115-W



DIMENSIONS GIVEN IN INCHES AND (mm)