

DATASHEET

XS4 Mini ANSI by SALTO

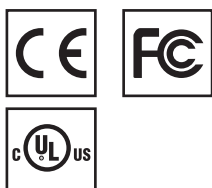
Stylish design is a SALTO trademark and with the XS4 Mini, we raise the bar on this already high standard thanks to the XS4 Mini's small, discreet size combined with a modern, clean LED aesthetic.

The Mini's smart compactness simplifies installation in virtually any kind of door, complementing any type of atmosphere.

www.saltosystems.com

TECHNICAL SPECIFICATIONS: XS4 MINI ANSI Cx2xx

SALTO
inspired access



TECHNICAL DATA:

Housing dimensions (H x W x D):	124.5mm x 68mm x 27mm (4-57/64"x 2-43/64"x 1-1/16")
Weight:	1,5 kg
Handle rotation:	Max. 54°
Door thicknesses:	40 mm - 105 mm
Square spindles:	8 mm
Cylindrical latch compatible:	SALTO LC1K only (included)
Power source:	3 AA batteries (LR06 1,5V)
Mechanical key override with audit:	Optional (cylinder not included)
Number of openings	Up to 50.000
Maximum events on lock audit	2 250 (SVN standalone mode) 1 850 (SVN BLUEnet mode) 1 450 (SALTO KS mode)
Temperature (without condensation):	- 0° / 50° 32°F to 122°F
Designed for:	Indoor use only
Certifications:	UL30C compliant CE conform FCC/IC conform

ID TECHNOLOGIES:

MIFARE*:	•
BLE Smart:	•
NFC:	•
Legic:	—
HID iClass®:	•
Picopass:	—
i-Button:	—

* MIFARE® (DESFire EV2, Classic, Plus, Ultralight C).

TECHNOLOGY PLATFORMS:

SALTO SPACE:

Smile - Selfprogrammable	—
ROM	•
SVN data-on-card	•
Wireless (SALTO RFnet)	—
Wireless (SALTO BLUEnet)	•

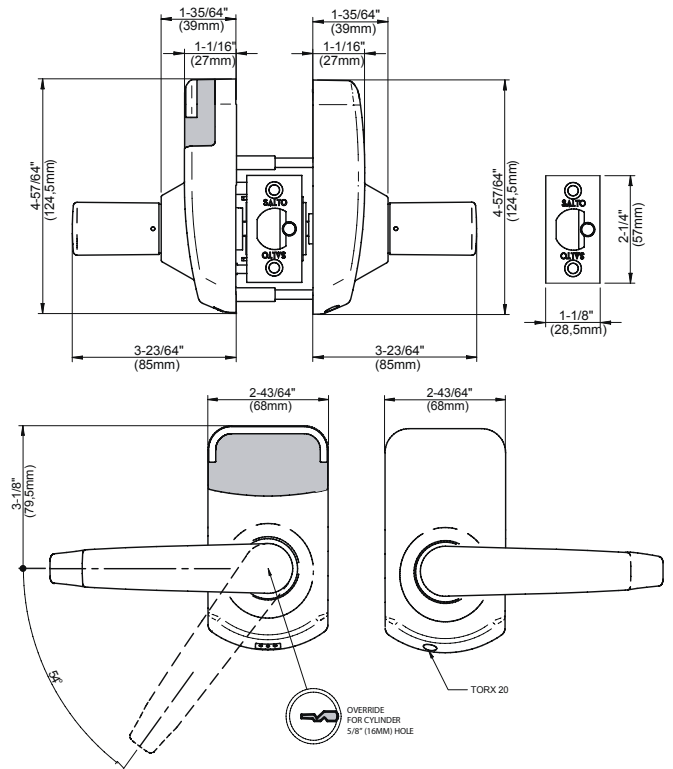
SALTO KS:

SALTO KS:	•
-----------	---

SALTO SALLIS:

SALLIS:	—
---------	---

TECHNICAL DRAWING:



OPENING MODES:

Standard:	•
Office mode:	•
Timed office:	•
Automatic opening:	•
Automatic opening + office	•
Toggle:	•
Timed Toggle:	•
Amok mode:	—
Exit leaves open mode:	•
Pin code / Keypad:	—

OPTIONS:

Reader colour:

Black:	•
White:	•

Faceplate finish:

CS - Satin Chrome - BHMA682 US26D	•
CP - Polished Chrome - BHMA629 US26	•
PM - Satin Brass (PVD finish) - BHMA732 US4	•
PP - Polished Brass (PVD finish) - BHMA729 US3	•
NE - Satin Chrome Black - BHMA685	•
BC BioCote anti-microbial:	•

Handles

Compatible handles	R, N, G, D
--------------------	------------